
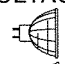


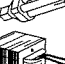




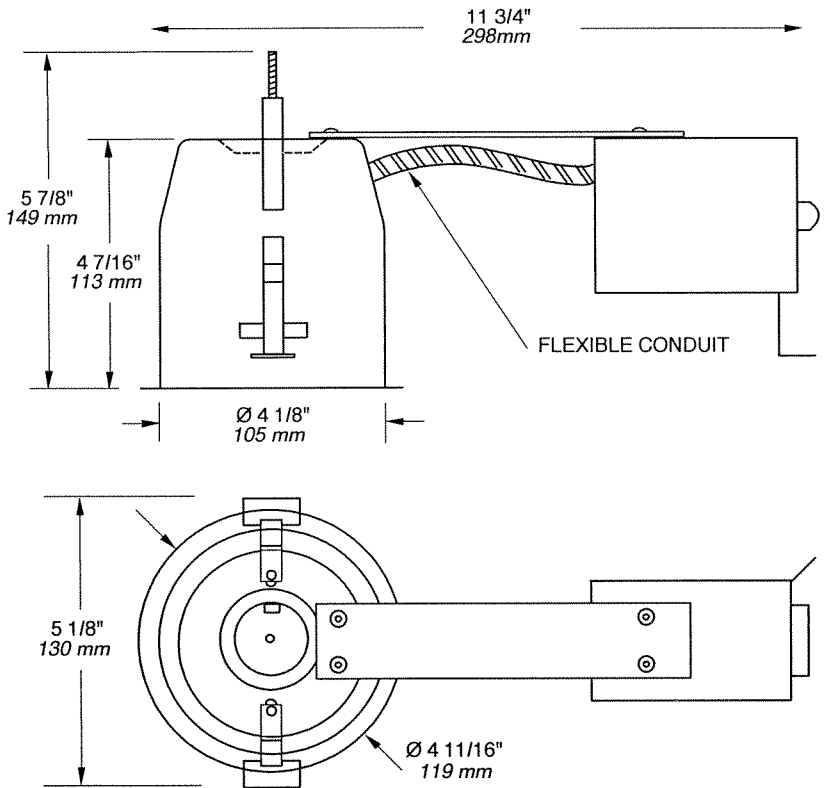


**"NON-IC" TYPE HOUSING**

**CA2000**

	yes
<b>VOLTAGE</b>	<b>120 VOLTS</b>
	
	
	<b>PAR20 50W max.</b>
	
	
	
	<b>T°C 100°C No 027</b>
<b>BX Length</b>	<b>5" (127 mm)</b>
<b>UL number</b>	<b>E 174023</b>
<b>E</b> Electronic <b>M</b> Magnetic <b>C</b> Short <b>L</b> Long	
	<b>OD Cut : 4 1/4" (107 mm)</b>

NOTES:  
For ceiling without insulation  
Below ceiling access



**PROJECT**

Your Project: \_\_\_\_\_  
 \_\_\_\_\_  
 \_\_\_\_\_

Representative: \_\_\_\_\_