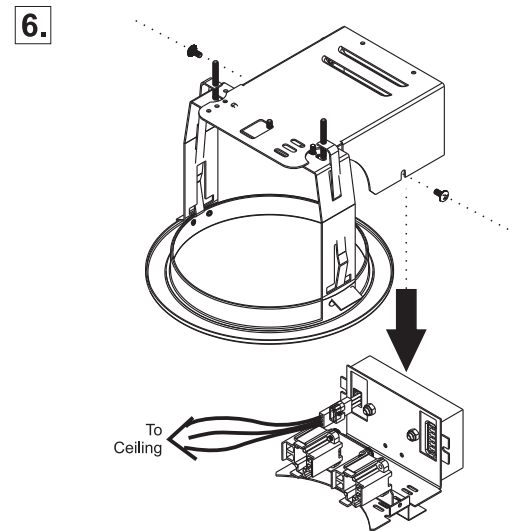
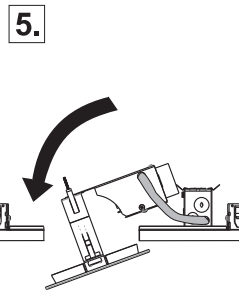
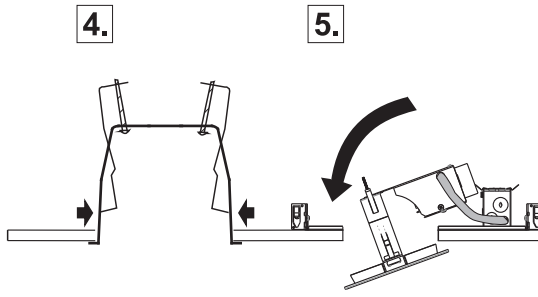
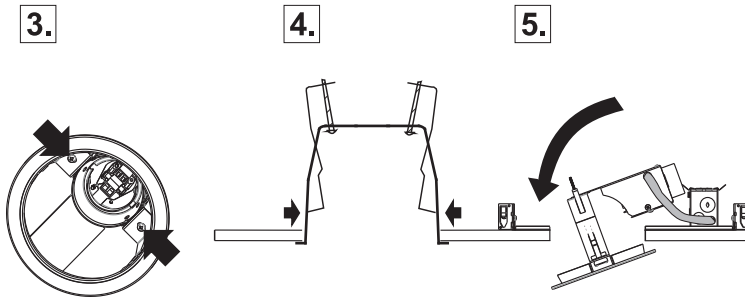


# Ballast Replacement Instructions

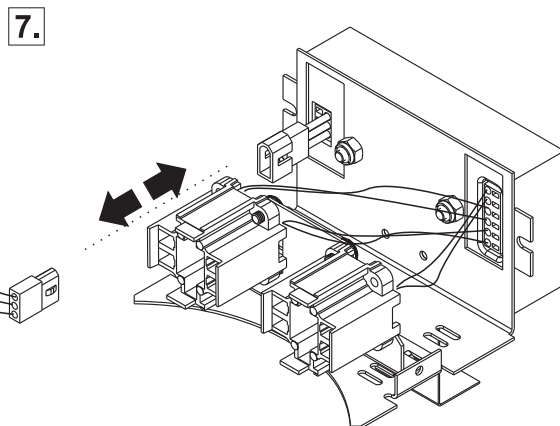
## Compact fluorescent New Construction Housings NWF6H, NWF7, NWF8

**Note : Ballast should be replaced by a qualified electrician without cutting the wires.**

1. Shut off electrical supply at source.
2. Remove: a) the deflector (7" and 8" Models)  
b) the lens (if necessary)  
c) the lamp  
d) the reflector (6" Models)
3. Unscrew the two adjustable hook screws.
4. Push the hooks inside the can.
5. Carefully remove housing from the ceiling.
6. Unscrew the two Power Kit screws.
7. Disconnect supply wires using the plastic connector.
8. You now have the Power Kit in your hands. Replace this kit by a factory approved **ENERGY STAR**<sup>®</sup> qualified Power Kit. Install new Power Kit by reversing steps 7 and 6.
9. Reinstall housing by reversing steps 5 to 1.



To Ceiling



To Ceiling

