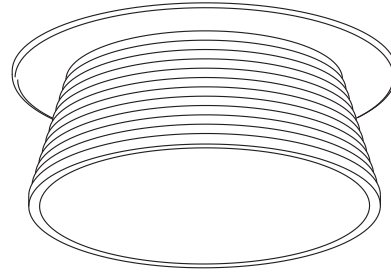








# SPECIFICATION SHEET

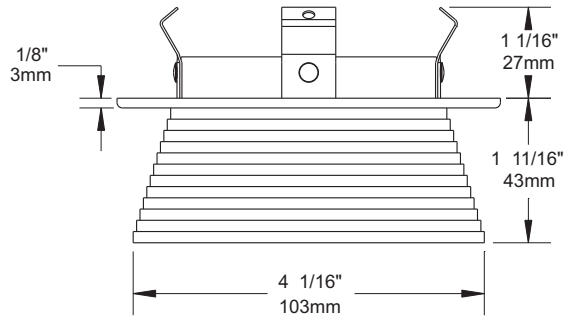
3 1/2" 3000 SERIES

# A3710V

LOW PROFILE TRIM WITH FROSTED BLUE STEPPED GLASS



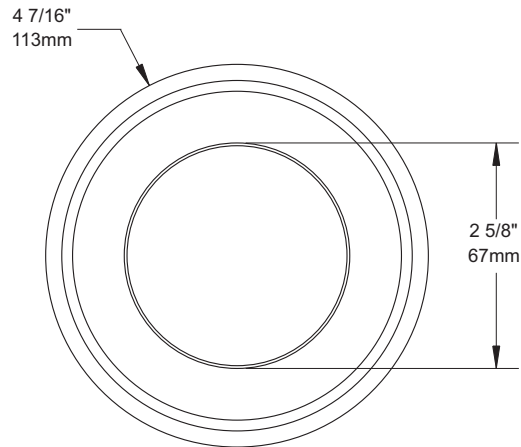
	<b>YES</b>
<b>Damp Location</b>	
	<b>PAR20 50W</b>
<b>PAR</b>	
	Two available glass colors : natural and blue. To order a white trim with a natural glass : A3700V-01 To order a white trim with a blue glass : A3710V-01
<b>Glass</b>	
	<b>Insulated ceiling housing</b> ISCA3600
	<b>New construction housing</b> NW3600CA
	<b>Remodel housing</b> CA3600



## COMPATIBLE HOUSINGS

### 50W PAR20

CA3600  
ISCA3600  
NW3600CA



## TRIM FINISHES

-01 WHITE	-04BR BRUSHED CHROME	-08 ANTIQUE SILVER
-02 BLACK	-05 ARCHITECTURAL BRONZE	-11 MATTE WHITE
-03 24K GOLD	-06 ANTIQUE COPPER	-12BR BRUSHED NICKEL
-04 CHROME	-07 ANTIQUE BRASS	-13 SATIN NICKEL
		-14 ALMOND

Unless otherwise indicated, trims are for **interior use only**. For exterior use and up to wet conditions, **MARINE GRADE** treatment is **recommended**. Available for finishes -01, -02, -05, -06, -11 and -14 only.



Project \_\_\_\_\_

Representative \_\_\_\_\_

**CONTRAST**  
L I G H T I N G

1009, rue du Parc Industriel, Saint-Jean-Chrysostome, Qc, CAN G6Z 1C5 Tel.: 1-888-839-4624 Fax : 1-877-839-7057  
info@contrastlighting.com  
www.contrastlighting.com

APRIL 2010