

SPECIFICATION SHEET

3 1/2" 3000 SERIES

A3600

BEVELED TRIM



YES

Damp Location



PAR20 50W

PAR



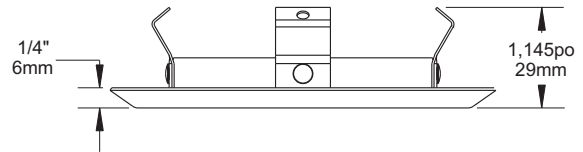
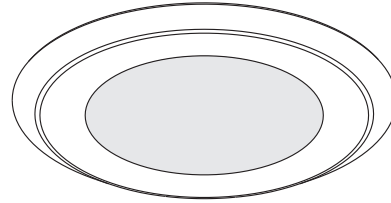
Insulated ceiling housing
ISCA3600



New construction housing
NW3600CA



Remodel housing
CA3600

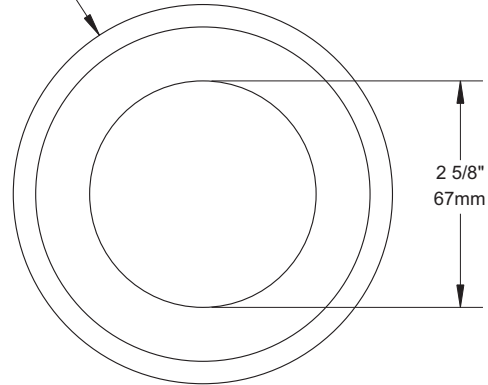


COMPATIBLE HOUSINGS

50W PAR20

CA3600
ISCA3600
NW3600CA

4 7/16"
113mm



TRIM FINISHES

-01 WHITE	-04BR BRUSHED CHROME	-08 ANTIQUE SILVER
-02 BLACK	-05 ARCHITECTURAL BRONZE	-11 MATTE WHITE
-03 24K GOLD	-06 ANTIQUE COPPER	-12BR BRUSHED NICKEL
-04 CHROME	-07 ANTIQUE BRASS	-13 SATIN NICKEL
		-14 ALMOND

Unless otherwise indicated, trims are for **interior use only**. For exterior use and up to wet conditions, **MARINE GRADE** treatment is **recommended**. Available for finishes -01, -02, -05, -06, -11 and -14 only.

MADE IN CANADA

CUL US LISTED
Certified UL Standards

Project _____

Representative _____

CONTRAST
LIGHTING

1009, rue du Parc Industriel, Saint-Jean-Chrysostome, Qc, CAN G6Z 1C5 Tel.: 1-888-839-4624 Fax : 1-877-839-7057
info@contrastlighting.com
www.contrastlighting.com

APRIL 2010