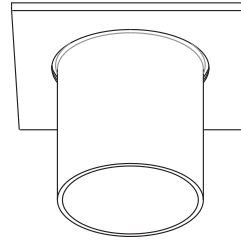


SPECIFICATION SHEET

4" 2000 SERIES

A2100VT

SQUARE TRIM WITH FROSTED GLASS TUBE



YES

Damp Location



PAR20 50W

PAR

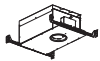


Glass

Available lengths : 3,4,5,6 and 7" (76,102,122,152 and 178mm).
Add tube length at the end of the code.

Examples : A2100VT-01-NFF03
A2100VT-01-NFF04
A2100VT-01-NFF05
A2100VT-01-NFF06
A2100VT-01-NFF07

Standard glass color : Natural Frosted interior / exterior
For other glass colors, contact Customer Service.



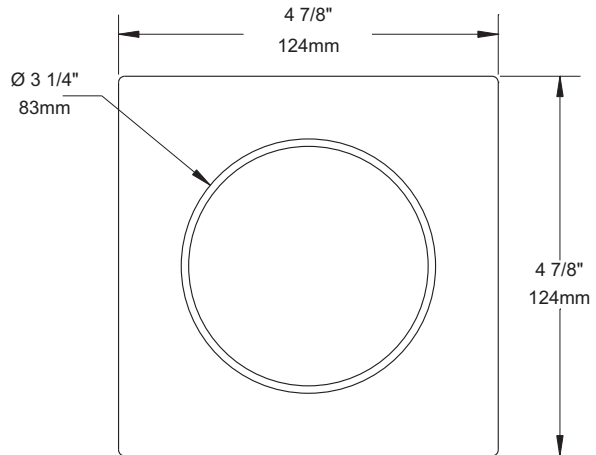
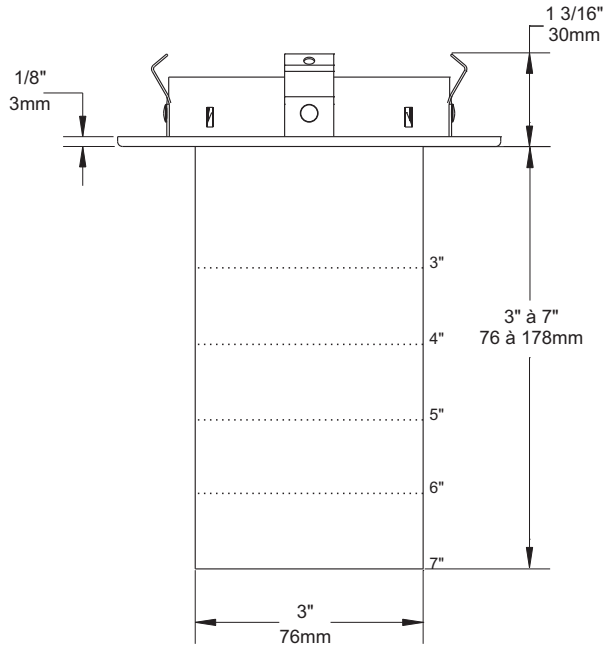
Insulated ceiling housing
ISCA2000



New construction housing
NW2000CA



Remodel housing
CA2000



COMPATIBLE HOUSINGS

50W PAR20

CA2000
NW2000CA
ISCA2000

TRIM FINISHES

- | | | |
|--------------|--------------------------|----------------------|
| -01 WHITE | -04BR BRUSHED CHROME | -08 ANTIQUE SILVER |
| -02 BLACK | -05 ARCHITECTURAL BRONZE | -11 MATTE WHITE |
| -03 24K GOLD | -06 ANTIQUE COPPER | -12BR BRUSHED NICKEL |
| -04 CHROME | -07 ANTIQUE BRASS | -13 SATIN NICKEL |
| | | -14 ALMOND |

Unless otherwise indicated, trims are for interior use only. For exterior use and up to wet conditions, **MARINE GRADE** treatment is recommended. Available for finishes -01, -02, -05, -06, -11 and -14 only.



Project _____

Representative _____

CONTRAST
L I G H T I N G

1009, rue du Parc Industriel, Saint-Jean-Chrysostome, Qc, CAN G6Z 1C5 Tel.: 1-888-839-4624 Fax : 1-877-839-7057
info@contrastlighting.com
www.contrastlighting.com

APRIL 2010