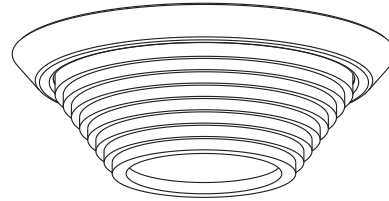









SPECIFICATION SHEET

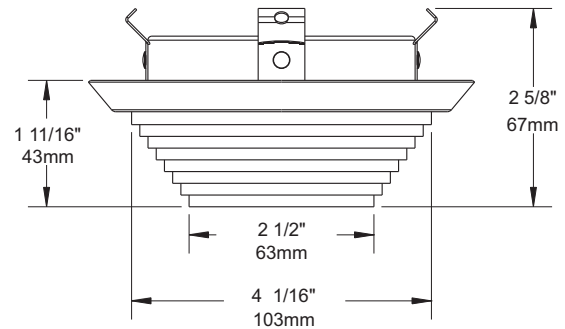
4" 2000 SERIES

A2010V

ROUND TRIM WITH BLUE FROSTED STEPPED GLASS

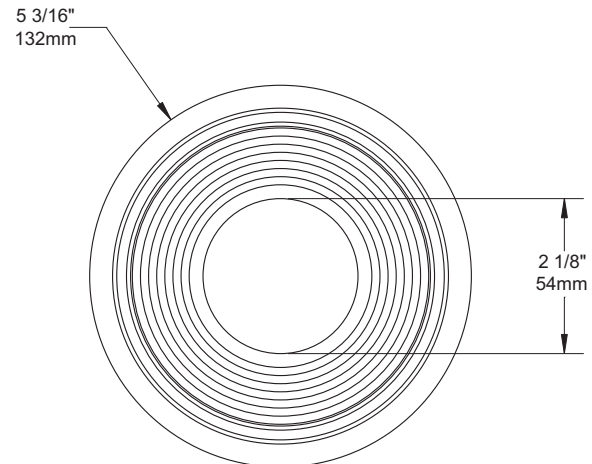



	Damp Location YES
	Compact Fluorescent 13W,18W,26W or 32W
	PAR PAR20 50W
	Glass 2 available colors : natural and blue. White trim with natural glass : A2000V-01 White trim with blue glass : A2010V-01
	ISCA2000, ISF2000, ISF2000U13,18
	NW2000CA, NWF2000U13,18,26, NWF2000LU18,26,32
	CA2000, F2000, F2000L, F2000U13,18,26, F2000LU18,26,32



COMPATIBLE HOUSINGS

50W PAR20	13W CF	18W CF	26W CF	32W CF
CA2000	F2000	F2000U18	F2000U26	F2000LU32
NW2000CA	F2000L	F2000LU18	F2000LU26	NWF2000LU32
ISCA2000	ISF2000	ISF2000U18	NWF2000U26	
	F2000U13	NWF2000U18	NWF2000LU26	
	ISF2000U13	NWF2000LU18		
	NWF2000U13			





ENERGY STAR Requirements
120 Volt ONLY

This trim meets every ENERGY STAR requirements when combined with the following housings :

F2000U13	F2000LU18	F2000U26	NWF2000LU26
NWF2000U13	NWF2000U18	F2000LU26	F2000LD26
F2000U18	NWF2000LU18	NWF2000U26	NWF2000LD26

TRIM FINISHES

-01 WHITE	-04BR BRUSHED CHROME	-08 ANTIQUE SILVER
-02 BLACK	-05 ARCHITECTURAL BRONZE	-11 MATTE WHITE
-03 24K GOLD	-06 ANTIQUE COPPER	-12BR BRUSHED NICKEL
-04 CHROME	-07 ANTIQUE BRASS	-13 SATIN NICKEL
		-14 ALMOND

Unless otherwise indicated, trims are for **interior use only**. For exterior use and up to wet conditions, **MARINE GRADE** treatment is **recommended**. Available for finishes -01, -02, -05, -06, -11 and -14 only.



Project _____

Representative _____

CONTRAST
LIGHTING

1009, rue du Parc Industriel, Saint-Jean-Chrysostome, Qc, CAN G6Z 1C5 Tel.: 1-888-839-4624 Fax : 1-877-839-7057
info@contrastlighting.com
www.contrastlighting.com

JUNE 2010