

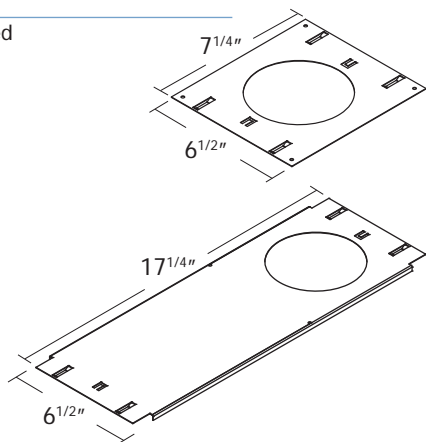
Plates and Mounting Bars for use with «NON-IC» Type Housing

The mounting plates and mounting bars are used to facilitate the installation of the Remodel recessed fixture in a non-drywall ceiling:

- Suspended Ceiling Tiles
- Sofites
- Soft Stretch Ceilings

Mounting Plates

Mounting bars required

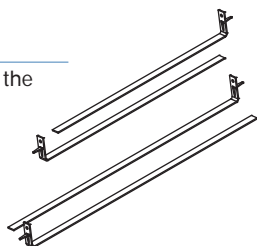


MODEL	HOLE CUT
P2000/P7000	ø 4 ^{3/16} " (106mm)
P2550/3600	ø 3 ^{3/4} " (96mm)
P4000	ø 3 ^{5/16} " (84mm)
P5000	ø 2 ^{3/4} " (70mm)

MODEL	HOLE CUT
P2000L	ø 4 ^{1/4} " (108mm)
P2550L	ø 3 ^{3/4} " (96mm)
P4000L	ø 3 ^{5/16} " (84mm)
P5000L	ø 2 ^{3/4} " (70mm)

Adjustable Mounting Bars

Choose the mounting bars according to the distance in between the joists.



Short Bars adjustable - 2 units

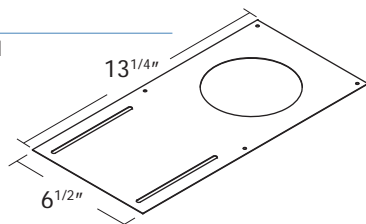
BARS From 13^{1/2}" to 21^{3/4}" (343mm to 553mm)

Long Bars adjustable - 2 units

BARL From 19^{1/2}" to 34" (495mm to 863mm)

Mounting Plates

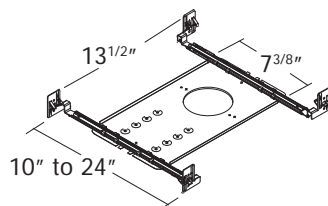
Mounting bars NOT required



MODEL	HOLE CUT
P2000N/P7000N	ø 4 ^{1/4} " (108mm)
P2550N/3600N	ø 3 ^{3/4} " (96mm)
P4000N	ø 3 ^{5/16} " (84mm)
P5000N	ø 2 ^{3/4} " (70mm)

New Construction Mounting Plates

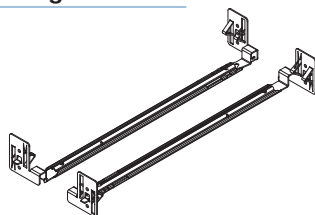
Mounting bars INCLUDED



MODEL	HOLE CUT
P2000NW/P7000NW	ø 4 ^{1/16} " (103mm)
P2550NW	ø 3 ^{9/16} " (90mm)
P4000NW	ø 3 ^{5/16} " (84mm)

New Construction Mounting Bars

Used in «NW» housings



Interlocking adjustable Bars - 2 pairs

BARK From 10" to 24^{1/2}" (254mm to 662mm)

