

UR3C

3-1/2" Series Round Shower Trim



Project _____

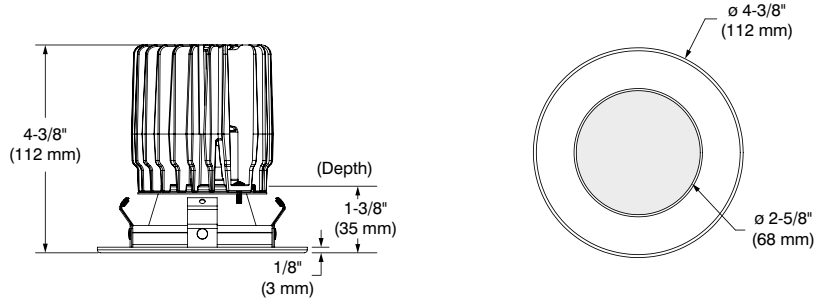
Notes _____

Fixture Type _____

Date _____



UR3CF-04BRAN (illustrated)



SPECIFICATIONS

LED MODULE

SOLID COLORS

Lumileds Luxeon CoB
 2,700K - CRI: 80+ and 90+
 3,000K - CRI: 80+ and 90+
 3,500K - CRI: 90+
 4,000K - CRI: 90+
 Lumens Maintenance:
 L₇₀ @ 50,000 hours
 Binning: 3 SDCM

LED MODULE (CONT'D)

WARM DIMMING (WD)

LED module mimicking the halogen lamp dimming conditions by lowering color temperature from 3,050K at full intensity down to 1,800K at low-end while ensuring 90+ CRI throughout the whole process.
 Lumens Maintenance:
 L₇₀ @ 50,000 hours
 Binning: 3 SDCM

DELIVERED LUMENS

Performance 1 (10W):
584 lumens @ 3,000K, 58.4 lms/W
Performance 2 (15W):
761 lumens @ 3,000K, 50.7 lms/W
Warm Dimming (15W):
373 lumens @ 3,000K, 24.8 lms/W

OPTIC SYSTEM*

Optical reflector available:
 Flood

Standard	
Flood (L)	48°

* Average beam shown. Consult .ies files on our Website for more details.

LENS

Clear (C)
 Frosted (std) (F)
 Frosted Clear Center (FC)

PAINTED REFLECTORS

Natural Anodized (AN)
 Matte White (11)
 Matte Black (22)

POWER SUPPLY

(Determined by the choice of housing)
 120V - 277V
 Several driver models available in two performances (10W and 15W) and in two dimming options (ELV and 0-10V).
 See housing specification sheets for more details.

HEAT SINK

High quality aluminum injected heat sink ensuring maximum heat dissipation.

TRIM

Powder coat painted or plated die-formed steel. Double seals.

CEILING CUTOUT

ø 3-3/4" (95 mm)

UR3C

3-1/2" Series Round Shower Trim



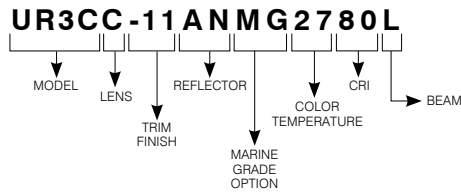
SPECIFICATIONS (CONT'D)

COMPATIBLE HOUSINGS

	Remodel Housings	New Construction Housings	IC Housings
Performance 1 10W Warm Dimming not compatible	IC and Air Tight REUR3-120D1 REUR3-120E1 REUR3-277D1	IC and Air Tight NWUR3-120D1 NWUR3-120E1 NWUR3-277D1 Emergency Driver Non-IC and Air Tight NWUR3-120D1-EM NWUR3-120E1-EM NWUR3-277D1-EM	Air Tight ISUR3-120D1 ISUR3-120E1 ISUR3-277D1 Chicago Plenum and Polyurethane Air Tight ISUR3-120D1P ISUR3-120E1P ISUR3-277D1P
Performance 2 15W MAX	Non-IC and Air Tight REUR3-120D2 REUR3-120E2 REUR3-120EB2 REUR3-2772 REUR3-277D2	Non-IC and Air Tight NWUR3-120D2 NWUR3-120E2 NWUR3-120EB2 NWUR3-2772 NWUR3-277D2 Emergency Driver Non-IC and Air Tight NWUR3-120D2-EM NWUR3-120E2-EM NWUR3-120EB2-EM NWUR3-2772-EM NWUR3-277D2-EM	Air Tight ISUR3-120D2 ISUR3-120E2 ISUR3-120EB2 ISUR3-2772 ISUR3-277D2 Chicago Plenum Air Tight ISUR3-120D2P ISUR3-120E2P ISUR3-120EB2P ISUR3-2772P ISUR3-277D2P

For dimming, please visit our Web site frequently to find our suggested compatible dimmers list:
www.contrastlighting.com

CODIFICATION EXAMPLE



ORDERING CODE

MODEL	LENS	TRIM FINISHES	REFLECTORS	MARINE GRADE	COLOR TEMPERATURES	CRI	BEAM
UR3C							L
UR3C	C Clear	-03SA Satin Gold	PAINTED	MG (optional)	27 2,700K (80+ and 90+ CRI)	80 80+	L Flood (48°)
	F Frosted (std)	-04BR Brushed Chrome	AN Natural Anodized	May be applied on finishes: -11 and -22	30 3,000K (80+ and 90+ CRI)	90 90+	
	FC Frosted Clear Center	-11 Matte White	11 Matte White		35 3,500K (90+ CRI)		
		-12BR Brushed Nickel	22 Matte Black		40 4,000K (90+ CRI)		
		-13 Satin Nickel			WD Warm Dimming (90+ CRI)		
		-22 Matte Black	(Not available with -03SA finish)				

CERTIFICATION

cULus **E343977** for wet locations

WARRANTY

1 year on components against manufacturing defects
 5 years on LED arrays and drivers

CONTRASTE

1009, rue du Parc Industriel
 Lévis (Québec) G6Z 1C5 Canada
 Tel.: 1-888-839-4624
 Fax.: 1-877-839-7057
 contrastlighting.com
 info@contrastlighting.com

© 2017 Contrast Lighting M.L. Inc.
 All rights reserved

Contrast Lighting M.L. Inc. reserves the right to make changes in specifications and/or to discontinue any product at any time without notice or obligation and will not be liable for any consequences resulting from the use of this publication.

SPECIFICATION SHEET

UR3C

3-1/2" Series Round Shower Trim



GOOF RINGS

Code: RR3-03SA (Satin Gold)
 RR3-04BR (Brushed Chrome)
 RR3-11 (Matte White)
 RR3-12BR (Brushed Nickel)
 RR3-13 (Satin Nickel)
 RR3-22 (Matte Black)

Outside diameter: \varnothing 6-1/8" (156 mm)
 Inside diameter: \varnothing 3-11/16" (94 mm)

OPENING ADAPTOR

Can lip adaptor for 3-1/2" (89 mm) pot in a
 4-1/4" (108 mm) opening.

Finish: Galvanized steel

Code: 312296

Outside diameter: \varnothing 4-5/16" (110 mm)
 Inside diameter: \varnothing 3-5/8" (92 mm)

CONTRASTE

1009, rue du Parc Industriel
 Lévis (Québec) G6Z 1C5 Canada
 Tel.: 1-888-839-4624
 Fax.: 1-877-839-7057
 contrastlighting.com
 info@contrastlighting.com

© 2017 Contrast Lighting M.L. Inc.
 All rights reserved

Contrast Lighting M.L. Inc. reserves the right to make changes in specifications and/or to discontinue any product at any time without notice or obligation and will not be liable for any consequences resulting from the use of this publication.

UR3C

3-1/2" Series Round Shower Trim



PHOTOMETRIC DATA

With performance 1 housing

	Flood	
2,700K with 80+ CRI	570 lms	57 lms/W
3,000K with 80+ CRI	584 lms	58.4 lms/W

2,700K with 90+ CRI	474 lms	47.4 lms/W
3,000K with 90+ CRI	490 lms	49 lms/W
3,500K with 90+ CRI	517 lms	51.7 lms/W
4,000K with 90+ CRI	531 lms	53.1 lms/W

Performance 1 Housings Factors	
XXUR-120E1	0.90
XXUR-120D1 ou XXUR-277D1	1

With performance 2 housing

	Spot	
2,700K with 80+ CRI	743 lms	49.5 lms/W
3,000K with 80+ CRI	761 lms	50.7 lms/W

2,700K with 90+ CRI	617 lms	41.1 lms/W
3,000K with 90+ CRI	638 lms	42.5 lms/W
3,500K with 90+ CRI	673 lms	44.8 lms/W
4,000K with 90+ CRI	691 lms	46 lms/W
Warm Dimming with 90+ CRI	373 lms	24.8 lms/W

Performance 2 Housings Factors	
XXUR-120E2	0.95
XXUR-120EB2, XXUR-120D2, XXUR-2772 ou XXUR-277D2	1

Lens Factors	
C	1.44
F (std)	1
FC	1.42

Reflectors Factors	
AN	0.99
11	1
22	0.97

CONTRASTE

1009, rue du Parc Industriel
Lévis (Québec) G6Z 1C5 Canada
Tel.: 1-888-839-4624
Fax.: 1-877-839-7057
contrastlighting.com
info@contrastlighting.com

© 2017 Contrast Lighting M.L. Inc.
All rights reserved

Contrast Lighting M.L. Inc. reserves the right to make changes in specifications and/or to discontinue any product at any time without notice or obligation and will not be liable for any consequences resulting from the use of this publication.

UR3C

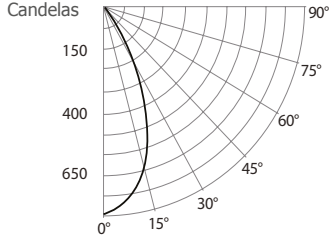
3-1/2" Series Round Shower Trim



PHOTOMETRIC DATA

3,000K, 90+ CRI, Flood, Performance 1

CANDLEPOWER DISTRIBUTION



LIGHT CONE

Distance	FC	DIA
06'	21.6	5.4'
08'	12.1	7.2'
10'	7.8	9.0'
12'	5.4	10.8'
14'	4.0	12.6'
16'	3.0	14.4'

Beam: 48°
Beam Edge defined as 50% of Maximum Nadir Candle-power.

LUMINAIRE

Performance 1 LED	3,000K Flood	
CBCP / Lumens	777	/ 490,1
Watts	120V	277V
	10W	10W
Operating AMPS	0.083A	0.036A
Lumen Maintenance	L70 @ 50,000 Hrs	
CRI	90+	
Lumens/Watt	49	
Spacing Criteria	0.20	

COEFFICIENT OF UTILIZATION - %

Ceiling Reflect %	80			50			30		
Wall Reflect %	50	30	50	30	50	30	50	30	
RCR	0	119	119	111	111	106	106	106	
	2	105	101	100	97	97	94	94	
	4	93	88	89	85	87	84	84	
	6	83	77	81	76	79	75	75	
	8	75	69	73	68	72	68	68	
	10	68	62	66	62	66	61	61	

Zonal Cavity Method
Effective Floor Cavity Reflectance 20%

ZONAL LUMEN SUMMARY

ZONE	LUMENS	%LUMINAIRE
0-30	403.2	82.3%
0-40	472.4	96.4%
0-60	489.2	99.8%
60-90	0.9	0.2%
0-90	490.1	100%

MULTIPLE UNIT DATA - (RCR 2)

SPACING ON CENTER	INITIAL FOOTCANDLES	WATTS/ SQ. FT.
5'	24	0.44
6'	13	0.25
7'	9	0.17
8'	9	0.17
9'	6	0.11

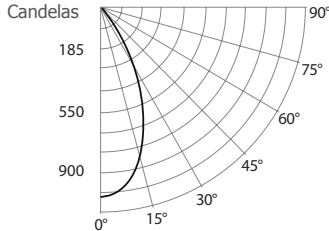
38' x 38' x 10' Room. Workplan located 2-1/2' (30").
Reflectance factor 80%/50%/30%

CANDELAS DISTRIBUTION

DEGREES/ VERTICAL	CANDELAS
0	777
15	615
30	215
45	17
60	2
75	0
90	0

3,000K, 90+ CRI, Flood, Performance 2

CANDLEPOWER DISTRIBUTION



LIGHT CONE

Distance	FC	DIA
06'	28.1	5.4'
08'	15.8	7.2'
10'	10.1	9.0'
12'	7.0	10.8'
14'	5.2	12.6'
16'	4.0	14.4'

Beam: 48°
Beam Edge defined as 50% of Maximum Nadir Candle-power.

LUMINAIRE

Performance 2 LED	3,000K Flood	
CBCP / Lumens	1,012	/ 638.1
Watts	120V	277V
	15W	15W
Operating AMPS	0.125A	0.054A
Lumen Maintenance	L70 @ 50,000 Hrs	
CRI	90+	
Lumens/Watt	42.5	
Spacing Criteria	0.20	

COEFFICIENT OF UTILIZATION - %

Ceiling Reflect %	80			50			30		
Wall Reflect %	50	30	50	30	50	30	50	30	
RCR	0	119	119	111	111	106	106	106	
	2	105	101	100	97	97	94	94	
	4	93	88	89	85	87	84	84	
	6	83	77	81	76	79	75	75	
	8	75	69	73	68	72	68	68	
	10	68	62	66	62	66	61	61	

Zonal Cavity Method
Effective Floor Cavity Reflectance 20%

ZONAL LUMEN SUMMARY

ZONE	LUMENS	%LUMINAIRE
0-30	525	82.3%
0-40	615.2	96.4%
0-60	637.2	99.9%
60-90	0.9	0.1%
0-90	638.1	100%

MULTIPLE UNIT DATA - (RCR 2)

SPACING ON CENTER	INITIAL FOOTCANDLES	WATTS/ SQ. FT.
5'	31	0.66
6'	18	0.37
7'	12	0.26
8'	12	0.26
9'	8	0.17

Local 38' x 38' x 10'. Plan de travail situé à 2-1/2' (30 po).
Facteur de réflexion 80%/50%/30%

CANDELAS DISTRIBUTION

DEGREES/ VERTICAL	CANDELAS
0	1,012
15	800
30	279
45	23
60	2
75	0
90	0