

T5000

2-1/2" Series

Low Profile Adjustable Trim

SPECIFICATIONS

TRIM	Powder coat painted or plated die-formed steel. Different finishes available. Painted finishes available with Marine Grade option.
LAMP	MR11 20W This product was designed for MR11 halogen lamps. If you want to use the dimming option and you replace the MR11 lamp by an equivalent LED lamp, please refer regularly to the lamp manufacturer compatibility list.
CEILING CUTOUT	Ø 2-5/8" (67 mm)
CERTIFICATION	cULus E174023 for damp locations
WARRANTY	1 year for standard finishes, 2-year on "Marine Grade" finish.

Project _____

Notes _____

Fixture Type _____

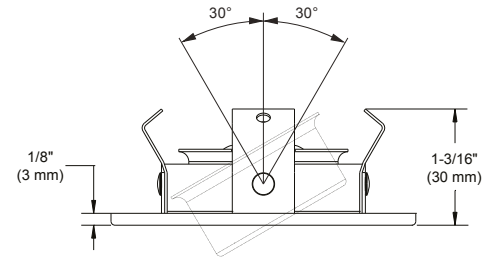
Date _____



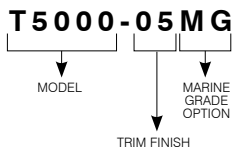
T5000-06 (illustrated)

COMPATIBLE HOUSINGS

	Remodel Housing	New Construction Housing	Insulated Housing
HALOGENS	MR11 G4 20W IT5000CE IT5000CM	Non Available	Non Available

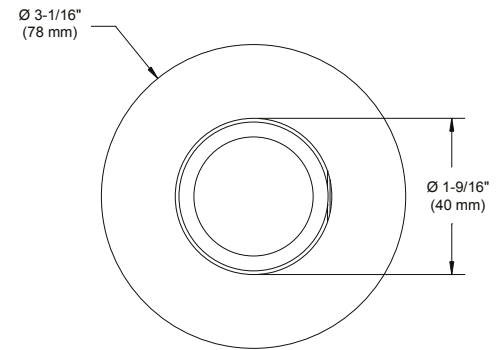


CODIFICATION EXAMPLE



ORDERING CODE

MODEL	TRIM FINISH	MARINE GRADE
T5000		
-01	White	MG (optional)
-02	Black	May be applied on finishes:
-03	Gold Plated 24K	-01, -02, -05, -06, -11 and -15
-04	Chrome	
-04BR	Brushed Chrome	
-05	Architectural Bronze	
-06	Antique Copper	
-11	Matte White	
-12BR	Brushed Nickel	
-13	Satin Nickel	
-15	Metallic Grey	



MARINE GRADE - Unless otherwise indicated, trims are for interior, cold and exterior locations where fixtures are not subjected to direct rain or snow exposure as in soffits. MARINE GRADE treatment is recommended for exterior, shower and high salinity environment uses.

