

# Saturn

Project

Notes

Fixture Type

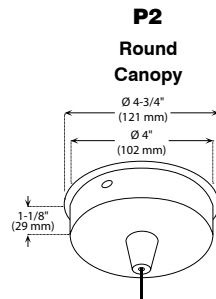
Date

## DESCRIPTION

A glass pendant that is reminiscent of the planet Saturn because of the glass ring that surrounds the glass orb. This combination of two high quality mouth blown glass creations is perfectly suited for commercial applications. All you need is imagination when choosing the color and texture that will best suit your decor.

## SPECIFICATIONS

**CANOPY** P2 is made of gauge 20 cold rolled steel.



Available in 1 painted color (-01) or 1 plated finish (-12BR).

<b>CABLE</b>	Coaxial cable offered in standard lengths of 6' Custom lengths up to 10' are available upon request
<b>SOURCE</b>	Universal base GY6.35 halogen Bi-Pin lamp Maximum power of 50W Bi-Pin lamp (included)
<b>POWER SUPPLY</b>	Electronic Transformer 120V
<b>WARRANTY</b>	3 year warranty on electronic transformer
<b>DIMMING</b>	Compatible with electronic low voltage dimmers (ELV) or Incandescent (TRIAC)
<b>CERTIFICATION</b>	cULus <b>E172892</b>



SATBK-W (illustrated)

**CONTRAST**  
LIGHTING

2015-07

1009, rue du Parc Industriel  
Lévis (Québec) G6Z 1C5 Canada  
Tel.: 1-888-839-4624 Fax: 1-877-839-7057  
info@contrastlighting.com  
www.contrastlighting.com

© 2015 Contrast Lighting M.L. Inc.  
All rights reserved

Contrast Lighting reserves the right to make changes in specifications and/or to discontinue any product at any time without notice or obligation and will not be liable for any consequences resulting from the use of this publication.



# Saturn

Complete unit consists of:

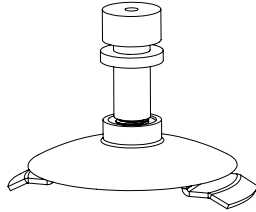
Canopy + Cable + Suspension support + Shade

## SUPPORT

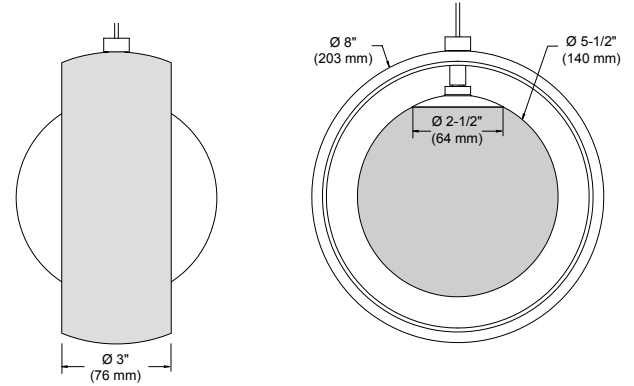
### SATURN

Attachment system made of steel.  
(Attachment system offered only in Gloss Nickel)

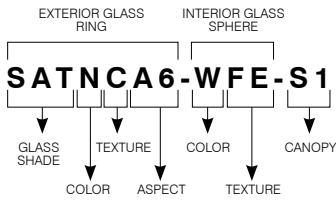
#### SAT



## SATURN GLASS SHADES



## GLASS SHADE AND CANOPY CODIFICATION EXAMPLE



## Glass Shade and Canopy ORDERING CODE

EXTERIOR GLASS RING				INTERIOR GLASS SPHERE		CANOPY (P2)	
GLASS SHADE	COLOR	TEXTURE	ASPECT (Available only with clear texture)	COLOR	TEXTURE		
<b>SAT</b>							
<b>SAT</b> Saturn	<b>BLS</b> Smoked Blue <b>GRS</b> Smoked Grey <b>M</b> Smoked Amber <b>N</b> Natural <b>R</b> Red	<b>C</b> Clear <b>FF</b> Frosted interior/ exterior	<b>A4</b> Bubbly <b>A6</b> Granite	<b>BLS</b> Smoked Blue <b>GRS</b> Smoked Grey <b>M</b> Smoked Amber <b>N</b> Natural <b>R</b> Red <b>VAN</b> Vanilla	<b>C</b> Clear <b>FE</b> Frosted exterior	<b>S1</b> 01 (White) <b>S2</b> 12BR (Brushed Nickel)	
	<b>BK</b> Black <b>W</b> White	... Standard: White interior/ Glossy exterior <b>FF</b> Frosted interior/ exterior		<b>FUR</b> Furia <b>W</b> White	... Standard: White interior/ Glossy exterior <b>FE</b> Frosted exterior		
	<b>VAN</b> Vanilla	<b>C</b> Clear <b>FF</b> Frosted interior/ exterior					

