

S2100R

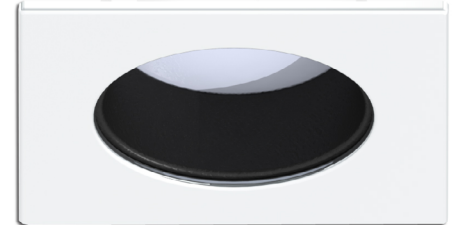
4" Series

Low Profile Square Adjustable Regressed Shower Trim

Project	
Notes	
Fixture Type	
Date	

SPECIFICATIONS

TRIM	Powder coated paint or plated die-formed steel. Different finishes available. Painted finishes available with Marine Grade option.	
LAMPS (maximum wattage)	MR16 LED GU 5.3 11.5W	MR16 GU 5.3 50W
	For dimming a MR16 LED lamp, please refer to the selected housing specification sheet (compatible housings list below).	
	Using LED lamps in shower trims may result in its lifespan decrease. Contrast Lighting cannot be held responsible for LED lamps lifespan lost when used in totally enclosed spaces.	
LENS	Standard: Frosted lens Available: Clear lens (C), Frosted with clear center lens (FC). To order, place the lens code after the trim code. Ex.: S2100RFC-01	
CEILING CUTOUT	Ø 4-1/4" (108 mm)	
CERTIFICATION	<ul style="list-style-type: none"> cULus E343977 for wet locations (for MR16 LED lamps) cULus E174023 for wet locations (for MR16 halogen lamps) 	
WARRANTY	1 year for standard finishes, 2 years on "Marine Grade" finishes.	

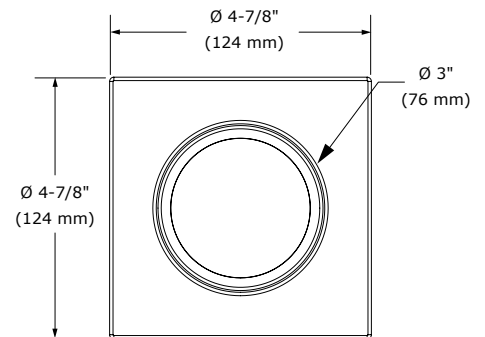
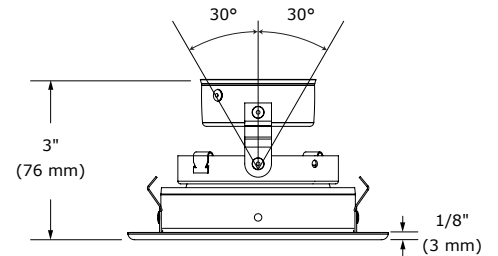


S2100R-01 (illustrated)
(Lamp not included)

COMPATIBLE HOUSINGS

	IC Air Tight Remodel Housing	IC Air Tight New Construction Housing
LED	MR16 LED GU 5.3 11.5W IT2000E-LED	MR16 LED GU 5.3 11.5W NW2000E-LED

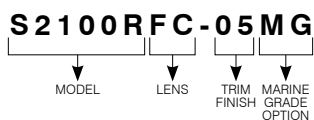
	Remodel Housing	New Construction Housing	Insulated Housing
HALOGENS	MR16 GU 5.3 50W IT2000E IT2000M	MR16 GU 5.3 50W NW2000E NW2000LM	MR16 GU 5.3 50W ISMR2000M



S2100R

4" Series

CODIFICATION EXAMPLE



ORDERING CODE

MODEL	LENS	TRIM FINISH	MARINE GRADE
S2100R			
S2100R	Standard: Frosted	-01 White	MG (optional)
C	Clear	-02 Black	May be applied on finishes:
FC	Frosted with clear center	-03 Gold Plated 24K	-01, -02, -05, -06, -11 and -15
		-04 Chrome	
		-04BR Brushed Chrome	
		-05 Architectural Bronze	
		-06 Antique Copper	
		-11 Matte White	
		-12BR Brushed Nickel	
		-13 Satin Nickel	
		-15 Metallic Grey	
		-17 Antique Nickel	

MARINE GRADE - Unless otherwise indicated, trims are for interior, cold and exterior locations where fixtures are not subject to direct rain or snow exposure as in soffits. MARINE GRADE treatment is recommended for exterior, shower and high salinity environment.

