

R2450VT

4" Series

Low Profile Trim with Glass Tube

SPECIFICATIONS

TRIM	Powder coat painted or plated die-formed steel. Different finishes available. Painted finishes available with Marine Grade option.
LAMPS (maximum wattage)	GU10 LED 9.8W MR16 GU 5.3 35-75W MR16 GU 5.3 LED 11.5W PAR16 LED 8W If you want to use the dimming option and you use a GU10 and PAR16 LED lamp, please refer regularly to the lamp manufacturer compatibility list. For dimming a MR16 LED lamp, please refer to the selected housing specification sheet (compatible housings list below). *Use supplied glass lens only with un protected MR16 lamps.
GLASS	Available lengths: 3, 4, 5, 6 and 7" (76, 102, 122, 152 and 178 mm). Add tube length at the end of the code. Examples: R2450VT-01-NFF03 R2450VT-01-NFF06 R2450VT-01-NFF04 R2450VT-01-NFF07 R2450VT-01-NFF05 Standard Glass Color: Natural Frosted interior/exterior. Available Glass Colors: Smoked Amber (-M) Red (-R) Natural (-N) White (-W) Available Glass Texture: Clear (-C), Frosted interior (-F), Frosted interior/exterior (-FF)
CEILING CUTOUT	Ø 4-1/4" (108 mm)
CERTIFICATION	<ul style="list-style-type: none"> cULus E343977 for damp locations (for GU10, MR16, and PAR16 LED lamps) cULus E174023 for damp locations (for MR16 halogen lamps)
WARRANTY	1 year for standard finishes, 2 years on "Marine Grade" finishes.

COMPATIBLE HOUSINGS

	IC Air Tight Remodel Housing	IC Air Tight New Construction Housing	
LED	GU10 DEL 9.8W IT2000T-LED MR16 DEL GU 5.3 11.5W IT2000CE-LED IT2000E-LED PAR16 DEL 8W CA2000-LED	GU10 DEL 9.8W NW2000T-LED MR16 DEL GU 5.3 11.5W NW2000CE-LED NW2000E-LED PAR16 DEL 8W NW2000CA-LED	
	Remodel Housing	New Construction Housing	Insulated Housing
HALOGENS	MR16 GU 5.3 42W IT2000CE IT2000CM MR16 GU 5.3 50W IT2000E IT2000M	MR16 GU 5.3 42W NW2000CE MR16 GU 5.3 50W NW2000CM NW2000E MR16 GU 5.3 75W NW2000LM	MR16 GU 5.3 35W ISMR2000E35 MR16 GU 5.3 50W ISMR2000M

Project _____

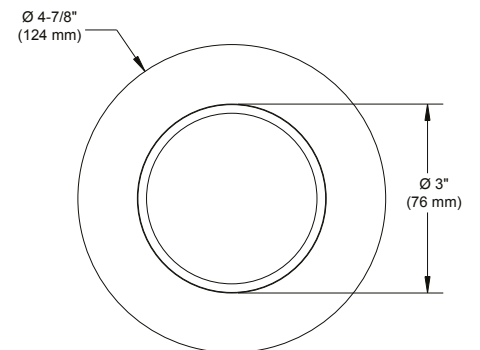
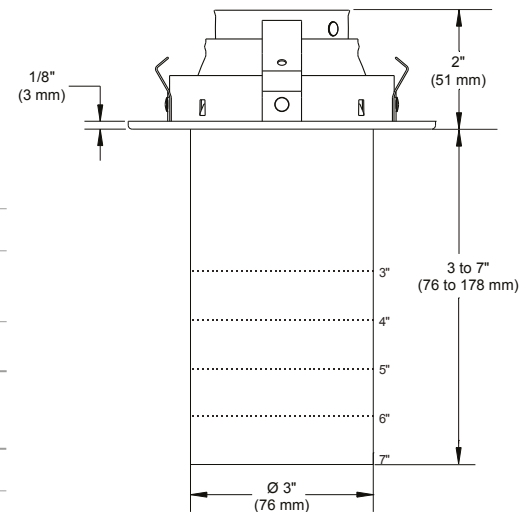
Notes _____

Fixture Type _____

Date _____



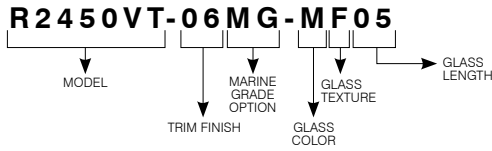
R2450VT-04BR-NFF04 (illustrated)
(Lamp not included)



R2450VT

4" Series

CODIFICATION EXAMPLE



ORDERING CODE

MODEL	TRIM FINISH	MARINE GRADE	GLASS COLOR	GLASS TEXTURE	GLASS LENGTH
R2450VT					
R2450VT	-01 White	MG (optional)	-M Smoked Amber	C Clear	03 3 inches
	-02 Black	May be applied on finishes:	-N Natural	F Frosted interior	04 4 inches
	-03 Gold Plated 24K	-01, -02, -05, -06, -11 and -15	-R Red	FF Frosted interior/ exterior	05 5 inches
	-04 Chrome		-W White		06 6 inches
	-04BR Brushed Chrome				07 7 inches
	-05 Architectural Bronze				
	-06 Antique Copper				
	-11 Matte White				
	-12BR Brushed Nickel				
	-13 Satin Nickel				
	-15 Metallic Grey				
	-17 Antique Nickel				

MARINE GRADE - Unless otherwise indicated, trims are for interior, cold and exterior locations where fixtures are not subject to direct rain or snow exposure as in soffits. MARINE GRADE treatment is recommended for exterior, shower and high salinity environment.

