

NWMA4PAR30

Multi-Aim Recessed Lighting

Multi-Aim unit for 4 PAR30 projectors

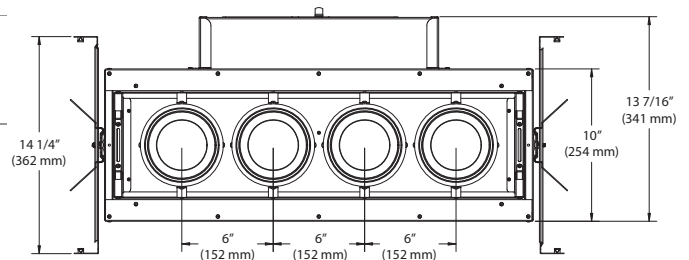
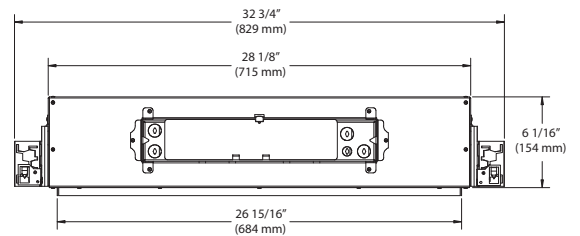
Project: _____
Notes: _____
Fixture type: _____
Date: _____

SPECIFICATIONS

Housing Details	Painted, galvanized steel outer housing includes universal mounting brackets with mounting bars for fixed or suspended ceilings. For new construction in non-insulated ceiling. Below-ceiling accessible. Perfect fit into ceiling. No light leakage. Each part of the housing should be at 3" (76 mm) MINIMUM from insulation (if applicable). Junction box can be removed entirely for easy maintenance.	
Mounting	Butterfly brackets accept: - Included mounting bars extend from 14 1/4" (362 mm) to 26" (660 mm). Requires a minimum spacing of 18" between joists. - 1/2" EMT (Supplied by customer) - C-Channel (Supplied by customer)	
Power	120V	
Dimming	Dimmable with Triac and most dimming technics.	
Projectors	Lockable 30° Double gimbal Compatible lamps: PAR30 75W max.	
Ceiling Details	Cutout 27 1/16" x 7 1/8" (687 mm x 181 mm)	Ceiling Thickness 1/2" to 1 1/2" (13 mm to 38 mm)
Warranty	Socket(s) – 5 years	
cULus	cULus Listed Suitable for dry to damp locations	



NWMA4PAR30-22 with MAR4-PAR30-11-22



NWMA4PAR30

Multi-Aim Recessed Lighting

Multi-Aim unit for 4 PAR30 projectors

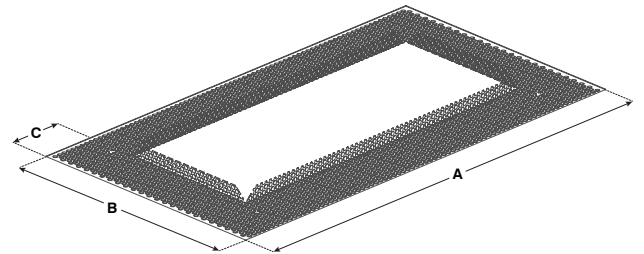
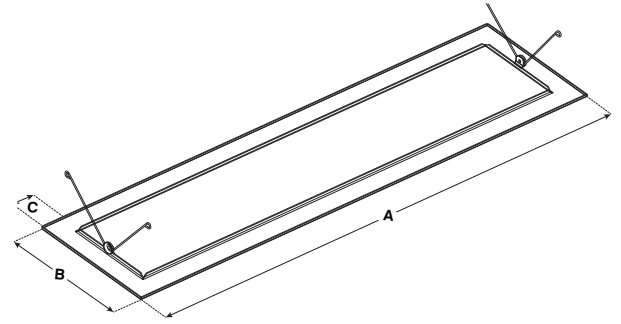
TRIM

Trim	Length A	Width B	Flange Width C
MAR4-PAR30-XX-XX	28" (711 mm)	8 1/2" (216 mm)	1 1/4" (32 mm)

OR

TRIMLESS INSTALLATION

Mesh Plate	Length A	Width B	Flange Width C
MAR4-PAR30-SF	32 1/8" (817 mm)	12 3/16" (310 mm)	2 1/2" (64 mm)



HOUSING ORDERING CODE

EXAMPLE NWMA4PAR30-22

A complete fixture consists of a housing and a trim or a housing and a mesh plate.

NW	MA	4	PAR30	
New Construction Housing	Multi-Aim	4 Projectors	PAR30	Housing Color -11 Matte White -22 Matte Black

AND

TRIM ORDERING CODE

EXAMPLE MAR4-PAR30-11-22

MAR	4	-PAR30		
Multi-Aim	4 Projectors	Source -PAR30	Trim Color -11 Matte White -15 Metallic Grey -22 Matte Black	Housing Color -11 Matte White -22 Matte Black

OR

MESH PLATE ORDERING CODE

EXAMPLE MAR4-PAR30-SF

MAR	4	-PAR30	-SF
Multi-Aim	4 Projectors	Source -PAR30	Trimless -SF

