

Project: _____

Notes: _____

Fixture type: _____

Date: _____

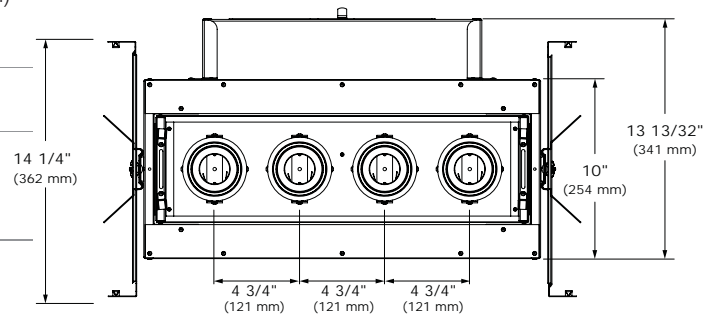
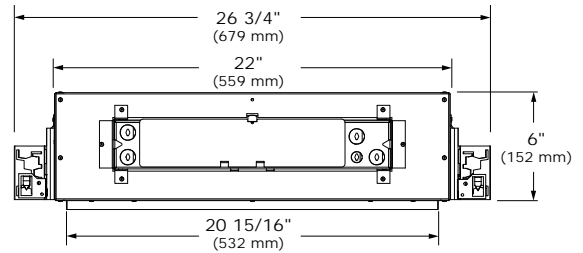
Multi-Aim unit for 4 MR16 projectors

SPÉCIFICATIONS

Housing Details	Painted, galvanized steel outer housing includes universal mounting brackets with mounting bars for fixed or suspended ceilings. For new construction in non-insulated ceiling. Below-ceiling accessible. Perfect fit into ceiling. No light leakage. Each part of the housing should be at 3" (76 mm) MINIMUM from insulation (if applicable). Junction box can be removed entirely for easy maintenance.	
Mounting	Butterfly brackets accept: - Included Mounting bars extend from 14 1/4" (362 mm) to 26" (660 mm). Requires a minimum spacing of 18" between joists. - 1/2" EMT (Supplied by customer) - C-Channel (Supplied by customer)	
Power Supply	Ligtech Electronic Converter Voltage 1: 120V Voltage 2: 277V	
Dimming	Dimmable with compatible Electronic Low Voltage (ELV) 120V dimmer.	
Projectors	Lockable 30° Double gimbal Compatible lamps: MR16 50 W max.	
Ceiling Details	Cutout 21 1/8" x 6 3/8" (537 mm x 162 mm)	Ceiling Thickness 1/2" to 1 1/2" (13 mm to 38 mm)
Warranty	Converter – 3 years	Socket(s) – 5 years
cULus	cULus Listed Suitable for dry to damp locations	



NWMA4MRE1-22 with MAR4-MR16-11-22



NWMA4MRE

Multi-Aim recessed lighting

Multi-Aim unit for 4 MR16 projectors

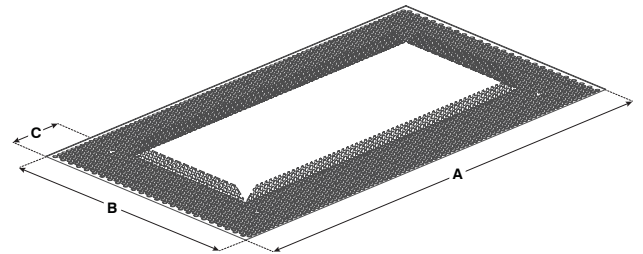
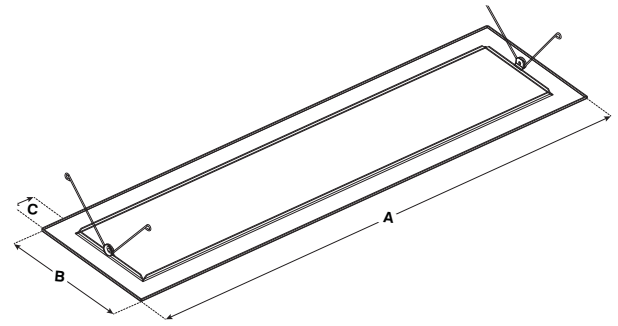
TRIM

Trim	Length A	Width B	Flange Width C
MAR4-MR16-XX-XX	22" (559 mm)	7" (178 mm)	1 1/2" (38 mm)

OR

TRIMLESS INSTALLATION

Mesh Plate	Length A	Width B	Flange Width C
MAR4-MR16-SF	25 15/16" (658 mm)	11 3/16" (284 mm)	2 13/16" (71 mm)



HOUSING ORDERING CODE

EXAMPLE NWMA4MRE1-22

A complete fixture consists of a housing and a trim or a housing and a mesh plate.

NW	MA	4	MR	E		
New Construction Housing	Multi-Aim	4 Projectors	MR16	Electronic Converter	Voltage	Housing Color
					1 = 120V	-11 Matte White
					2 = 277V	-22 Matte Black

AND

TRIM ORDERING CODE

EXAMPLE MAR4-MR16-11-22

MAR	4	-MR16		
Multi-Aim	4 Projectors	Source -MR16	Trim Color	Housing Color
			-11 Matte White	-11 Matte White
			-15 Metallic Grey	-22 Matte Black
			-22 Matte Black	

OR

MESH PLATE ORDERING CODE

EXAMPLE MAR4-MR16-SF

MAR	4	-MR16	-SF
Multi-Aim	4 Projectors	Source -MR16	Trimless -SF

