

Concerto LED - LD3I

3-1/2" Series

Low Profile Square Shower Trim with Square Pinhole

DESCRIPTION

This series round or square trims, wide beam and frosted lens, illuminates almost entirely confined spaces such as a shower.

SPECIFICATIONS

COLOR TEMPERATURE	2,700K, 3,000K, 3,500K and 4,000K														
CRI	80 + 90 + (only at 3,000K)														
POWER SUPPLY	Several driver models available giving you 3 dimming options: ELV, 0-10V or Pulse Width Modulation (PWM).														
LED MODULE	Bridgelux Vero 18, delivers a lumen maintenance greater than 70% after 50,000 hours of operation (L_{70}). Provides a high quality true color and a clean white light without hot spots. Binning within 3 steps on MacAdam ellipse. Surpass ANSI binning requirements.														
DELIVERED LUMENS (Determined by the choice of housing)	Performance 1: 600 lumens, 38 lm/W Performance 2: 760 lumens, 35 lm/W														
TRIM	Powder coated paint or plated die-formed steel. Different finishes available. Painted finishes available with Marine Grade option.														
BEAM	W: Flood \rightarrow 40°														
LENS	Choice of lenses available: Clear (C), Frosted (F), Frosted with clear center (FC)														
HEAT SINK	High quality aluminum injected heat sink ensuring maximum heat dissipation.														
CEILING CUTOUT	ø 3-5/8" (92 mm)														
COMPATIBLE HOUSINGS	<table border="1"> <thead> <tr> <th></th> <th>Remodel Housing</th> <th>New Construction Housing</th> <th>Insulated Housing</th> </tr> </thead> <tbody> <tr> <td>Performance 1 (1,500 lumens)</td> <td>RELD300LE1 RELD300LD1 RELD300LA1</td> <td>NWLD300LE1 NWLD300LD1 NWLD300LA1</td> <td>ISLD300LE1 ISLD300LD1 ISLD300LA1</td> </tr> <tr> <td>Performance 2 (2,000 lumens)</td> <td>RELD300LE2 RELD300LD2 RELD300LA2</td> <td>NWLD300LE2 NWLD300LD2 NWLD300LA2</td> <td>ISLD300LE2 ISLD300LD2 ISLD300LA2</td> </tr> </tbody> </table>		Remodel Housing	New Construction Housing	Insulated Housing	Performance 1 (1,500 lumens)	RELD300LE1 RELD300LD1 RELD300LA1	NWLD300LE1 NWLD300LD1 NWLD300LA1	ISLD300LE1 ISLD300LD1 ISLD300LA1	Performance 2 (2,000 lumens)	RELD300LE2 RELD300LD2 RELD300LA2	NWLD300LE2 NWLD300LD2 NWLD300LA2	ISLD300LE2 ISLD300LD2 ISLD300LA2	For dimming, please refer to the selected housing specification sheet.	
	Remodel Housing	New Construction Housing	Insulated Housing												
Performance 1 (1,500 lumens)	RELD300LE1 RELD300LD1 RELD300LA1	NWLD300LE1 NWLD300LD1 NWLD300LA1	ISLD300LE1 ISLD300LD1 ISLD300LA1												
Performance 2 (2,000 lumens)	RELD300LE2 RELD300LD2 RELD300LA2	NWLD300LE2 NWLD300LD2 NWLD300LA2	ISLD300LE2 ISLD300LD2 ISLD300LA2												
CERTIFICATION	cULus E343977 for wet locations.														
WARRANTY	1 year for standard finishes, 2 years on "Marine Grade" finish and 5 years on LED module.														

Project _____

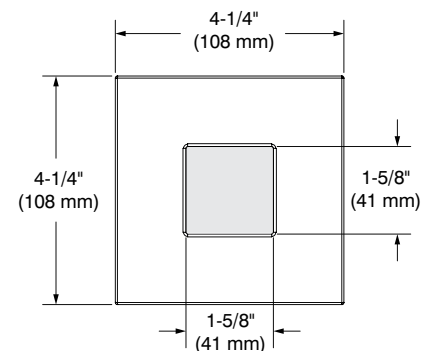
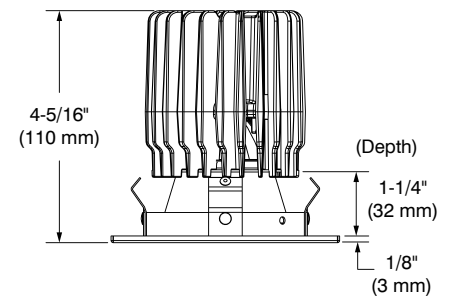
Notes _____

Fixture Type _____

Date _____



LD3IF-12BR
(illustrated)



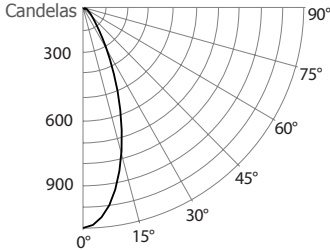
Concerto LED - LD3I

3-1/2" Series

PHOTOMETRIC DATA

3,000K, 80 + CRI, Flood with performance 1 housing

CANDLEPOWER DISTRIBUTION



LIGHT CONE

Distance	FC	DIA
06'	26.4	4.3'
08'	14.8	5.8'
10'	9.5	7.2'
12'	6.6	8.7'
14'	4.8	10.1'
16'	3.7	11.5'

Beam: 40°
Beam Edge defined as 50% of Maximum Nadir Candle-power.

LUMINAIRE

Performance 1 LED	3,000K Flood	
CBCP / Lumens	950	/ 592
Watts	120V	277V
	15.7W	16.2W
Operating AMPS	0.13A	0.058A
Lumen Maintenance	L70 @ 50,000 Hrs	
CRI	+ 80	
Lumens/Watt	37.7	
Spacing Criteria	0.6	
Certificate LM79-08	475943	

COEFFICIENT OF UTILIZATION - %

Ceiling Reflect %	80			50			30		
Wall Reflect %	50	30	50	30	50	30	50	30	50
RCR	0	119	119	111	111	106	106	106	106
	2	103	100	98	96	96	93	93	93
	4	92	87	89	84	87	83	83	83
	6	82	77	80	76	79	75	75	75
	8	74	69	73	68	72	67	67	67
	10	68	62	66	62	66	61	61	61

Zonal Cavity Method
Effective Floor Cavity Reflectance 20%

ZONAL LUMEN SUMMARY

ZONE	LUMENS	%LUMINAIRE
0-30	403	68.06%
0-40	482	81.44%
0-60	557	94.03%
60-90	35	5.97%
0-90	592	100%

MULTIPLE UNIT DATA - (RCR 2)

SPACING ON CENTER	INITIAL FOOTCANDLES	WATTS/SQ. FT.
5'	28	0.7
6'	16	0.39
7'	11	0.27
8'	11	0.27
9'	7	0.17

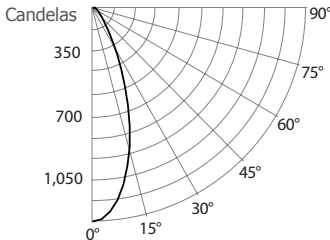
Local 38' x 38' x 10'. Workplane located 2 1/2' (30°).
Reflection factor of 80%/50%/30%

CANDELAS DISTRIBUTION

DEGREES/VERTICAL	CANDELAS	DEGREES/VERTICAL	CANDELAS
0	950	45	57
5	909	55	33
10	798	65	20
15	640	75	11
20	469	85	4
25	314	90	0
35	123		

3,000K, 80 + CRI, Flood with performance 2 housing

CANDLEPOWER DISTRIBUTION



LIGHT CONE

Distance	FC	DIA
06'	33.8	4.3'
08'	19.0	5.8'
10'	12.2	7.2'
12'	8.5	8.6'
14'	6.2	10.1'
16'	4.8	11.5'

Beam: 40°
Beam Edge defined as 50% of Maximum Nadir Candle-power.

LUMINAIRE

Performance 2 LED	3,000K Flood	
CBCP / Lumens	1,218	/ 757
Watts	120V	277V
	21.5W	22W
Operating AMPS	0.18A	0.079
Lumen Maintenance	L70 @ 50,000 Hrs	
CRI	+ 80	
Lumens/Watt	35.5	
Spacing Criteria	0.6	
Certificate LM79-08	475949	

COEFFICIENT OF UTILIZATION - %

Ceiling Reflect %	80			50			30		
Wall Reflect %	50	30	50	30	50	30	50	30	50
RCR	0	119	119	111	111	106	106	106	106
	2	103	100	98	96	96	93	93	93
	4	92	87	89	84	87	83	83	83
	6	82	77	80	76	79	75	75	75
	8	74	69	73	68	72	67	67	67
	10	68	62	66	62	66	61	61	61

Zonal Cavity Method
Effective Floor Cavity Reflectance 20%

ZONAL LUMEN SUMMARY

ZONE	LUMENS	%LUMINAIRE
0-30	516	68.09%
0-40	617	81.45%
0-60	712	94.03%
60-90	45	5.97%
0-90	757	100%

MULTIPLE UNIT DATA - (RCR 2)

SPACING ON CENTER	INITIAL FOOTCANDLES	WATTS/SQ. FT.
5'	36	0.95
6'	20	0.54
7'	14	0.37
8'	14	0.37
9'	9	0.24

Local 38' x 38' x 10'. Workplane located 2 1/2' (30°).
Reflection factor of 80%/50%/30%

CANDELAS DISTRIBUTION

DEGREES/VERTICAL	CANDELAS	DEGREES/VERTICAL	CANDELAS
0	1,218	45	73
5	1,165	55	42
10	1,022	65	26
15	819	75	14
20	599	85	5
25	401	90	0
35	157		

CONTRASTE

1009, rue du Parc Industriel
Lévis (Québec) G6Z 1C5 Canada
Tel.: 1-888-839-4624
Fax.: 1-877-839-7057
contrastlighting.com
info@contrastlighting.com

© 2017 Contrast Lighting M.L. Inc.
All rights reserved

Contrast Lighting M.L. Inc. reserves the right to make changes in specifications and/or to discontinue any product at any time without notice or obligation and will not be liable for any consequences resulting from the use of this publication.



Concerto LED - LD3I

3-1/2" Series

LD3I MODEL PHOTOMETRIC DATA

With performance 1 housing

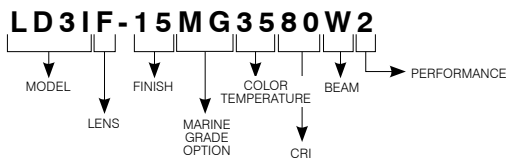
	Flood	
2,700K with 80 CRI	592 Lms	37 lm/W
3,000K with 90 CRI	484.6 Lms	30.3 lm/W
3,500K with 80 CRI	628 Lms	40 lm/W
4,000K with 80 CRI	639 Lms	40.7 lm/W

With performance 2 housing

	Flood	
2,700K with 80 CRI	764.9 Lms	34.8 lm/W
3,000K with 90 CRI	621 Lms	28.2 lm/W
3,500K with 80 CRI	802 Lms	37.3 lm/W
4,000K with 80 CRI	817 Lms	38 lm/W

* All .ies and Lighting facts files are available on our Website.

CODIFICATION EXAMPLE



ORDERING CODES

MODEL	LENSES	TRIM FINISHES	MARINE GRADE	COLOR TEMPERATURES	CRI	BEAM	PERFORMANCE
LD3I						W	2
LD3I	F Frosted	-01 White	MG (optional)	27 2,700K	80 80+ CRI	W Flood (40°)	2
	FC Frosted with clear center	-02 Black	May be applied on finishes: -01, -02, -05, -06, -11 and -15.	30 3,000K	90 90+ CRI		
	C Clear	-03 24K Gold Plated		35 3,500K	(only with 3,000K)		Use with Performance 1 or Performance 2 Housings
		-04 Chrome		40 4,000K			
		-04BR Brushed Chrome					
		-05 Architectural Bronze					
		-06 Antique Copper					
		-11 Matte White					
		-12BR Brushed Nickel					
		-13 Satin Nickel					
		-15 Metallic Grey					

MARINE GRADE - Unless otherwise indicated, trims are for interior, cold and exterior locations where fixtures are not subject to direct rain or snow exposure as in soffits. MARINE GRADE treatment is recommended for exterior, shower and high salinity environment.

