

# Concerto LED - LD3G

## 3-1/2" Series

### Square Regressed Low Profile Trim with Square Pinhole

#### DESCRIPTION

This series of fixed round or square trims offered with narrow flood or flood beams will be highly appreciated in the following applications: highlight of various objects in shows and museums or for certain tasks such as above a work table, for kids homework, kitchen island, sewing, etc ...

#### SPECIFICATIONS

COLOR TEMPERATURES	2,700K, 3,000K, 3,500K and 4,000K			
CRI	80 +	90 + (only at 3,000K)		
POWER SUPPLY	Several driver models available giving you 3 dimming options: ELV, 0-10V or Pulse Width Modulation (PWM).			
LED MODULE	Bridgelux Vero 18, delivers a lumen maintenance greater than 70% after 50,000 hours of operation (L <sub>70</sub> ). Provides a high quality true color and a clean white light without hot spots. Binning within 3 steps on MacAdam ellipse. Surpass ANSI binning requirements.			
DELIVERED LUMENS (Determined by the choice of housing)	<b>Performance 1:</b> 730 lumens, 47 lm/W <b>Performance 2:</b> 1,025 lumens, 46 lm/W			
TRIM	Powder coated paint or plated die-formed steel. Different finishes available. Painted finishes available with Marine Grade option.			
BEAM	<b>M:</b> Narrow Flood → 33°			
LENS	Optional lenses available to personalize your lighting. Protection lens covered with a high-performance film 98% effective. Lens of 1/8" (3 mm) thick and 1.9" (47 mm) Ø.  <b>Choice of available lenses:</b> Clear (C), Frosted (F), Honeycomb (H), Linear (L), Prismatic (P) and Solite (S)			
HEAT SINK	High quality aluminum injected heat sink ensuring maximum heat dissipation.			
REFLECTORS	<b>Anodized</b> Anodized Aluminum (AN)	<b>Specular</b> Clear (CL) Black (BK)	<b>Painted</b> White (01)* Black (02) Architectural Bronze (05)* Antique Copper (06)* Matte White (11)* Metallic Grey (15)*	
	*These reflector colors are available only with the same trim color.			
CEILING CUTOUT	ø 3-5/8" (92 mm)			
COMPATIBLE HOUSINGS	<b>Remodel Housing</b>	<b>New Construction Housing</b>	<b>Insulated Housing</b>	
(Performance 2 trims work with either performance 1 and 2 housings.)	<b>Performance 1</b> (1,500 lumens)	RELD300LE1	NWLD300LE1	ISLD300LE1
		RELD300LD1	NWLD300LD1	ISLD300LD1
		RELD300LA1	NWLD300LA1	ISLD300LA1
	<b>Performance 2</b> (2,000 lumens)	RELD300LE2	NWLD300LE2	ISLD300LE2
		RELD300LD2	NWLD300LD2	ISLD300LD2
		RELD300LA2	NWLD300LA2	ISLD300LA2
	For dimming, please refer to the selected housing specification sheet.			
CERTIFICATION	cULus E343977 for damp locations			
WARRANTY	1 year for standard finishes, 2 years on "Marine Grade" finish and 5 years on LED module.			

Project \_\_\_\_\_

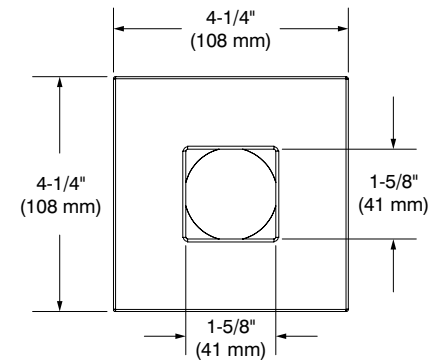
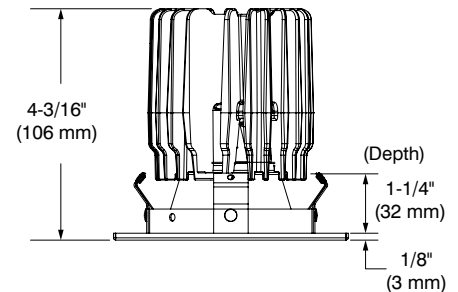
Notes \_\_\_\_\_

Fixture Type \_\_\_\_\_

Date \_\_\_\_\_



LD3GC-04BK (illustrated)



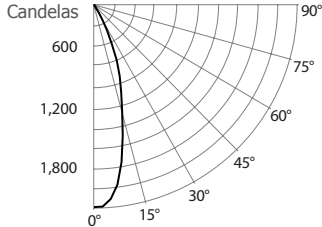
# Concerto LED - LD3G

3-1/2" Series

## PHOTOMETRIC DATA

### 3,000K, 80 + of CRI, Narrow Flood with performance 1 housing

#### CANDLEPOWER DISTRIBUTION



#### LIGHT CONE

Distance	FC	DIA
06'	57.4	3.6'
08'	32.3	4.7'
10'	20.7	5.9'
12'	14.4	7.1'
14'	10.5	8.3'
16'	8.1	9.5'

Beam: 33°  
Beam Edge defined as 50% of Maximum Nadir Candle-power.

#### LUMINAIRE

Performance 1 LED	3,000K	Narrow Flood
CBCP / Lumens	2,067	/ 729
Watts	120V	277V
	15.96W	16.46W
Operating AMPS	0.13A	0.059A
Lumen Maintenance	L70 @ 50,000 Hrs	
CRI	80 +	
Lumens/Watt	47	
Spacing Criteria	0.6	
Certificate LM79-08	475867	

#### COEFFICIENT OF UTILIZATION - %

Ceiling Reflect %	80			50			30		
Wall Reflect %	50	30	50	30	50	30	50	30	
RCR	0	119	119	111	111	106	106	106	
	2	108	105	103	101	100	99	99	
	4	100	97	97	94	96	93	93	
	6	94	90	92	89	91	88	88	
	8	89	85	87	84	86	83	83	
	10	84	80	83	80	82	79	79	

Zonal Cavity Method  
Effective Floor Cavity Reflectance 20%

#### ZONAL LUMEN SUMMARY

ZONE	LUMENS	%LUMINAIRE
0-30	662	90.80%
0-40	690	94.72%
0-60	715	98.13%
60-90	14	1.87%
0-90	729	100%

#### MULTIPLE UNIT DATA - (RCR 2)

SPACING ON CENTER	INITIAL FOOTCANDLES	WATTS/SQ. FT.
5'	36	0.71
6'	20	0.4
7'	14	0.28
8'	14	0.28
9'	9	0.18

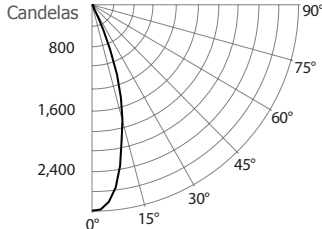
Local 38' x 38' x 10'. Workplan located 2 1/2' (30").  
Reflection factor of 80%/50%/30%.

#### CANDELAS DISTRIBUTION

DEGREES/VERTICAL	CANDELAS	DEGREES/VERTICAL	CANDELAS
0	2,067	45	26
5	1,998	55	12
10	1,638	65	13
15	1,191	75	10
20	743	85	10
25	279	90	0
35	35		

### 3,000K, 80 + of CRI, Narrow Flood with performance 2 housing

#### CANDLEPOWER DISTRIBUTION



#### LIGHT CONE

Distance	FC	DIA
06'	80.1	3.6'
08'	45.0	4.8'
10'	28.8	5.9'
12'	20.0	7.1'
14'	14.7	8.3'
16'	11.3	9.5'

Beam: 33°  
Beam Edge defined as 50% of Maximum Nadir Candle-power.

#### LUMINAIRE

Performance 2 LED	3,000K	Narrow Flood
CBCP / Lumens	2,883	/ 1,024
Watts	120V	277V
	22.50W	23W
Operating AMPS	0.18A	0.083A
Lumen Maintenance	L70 @ 50,000 Hrs	
CRI	80 +	
Lumens/Watt	46	
Spacing Criteria	0.5	
Certificate LM79-08	475893	

#### COEFFICIENT OF UTILIZATION - %

Ceiling Reflect %	80			50			30		
Wall Reflect %	50	30	50	30	50	30	50	30	
RCR	0	119	119	111	111	106	106	106	
	2	108	105	103	101	100	99	99	
	4	100	97	97	94	95	93	93	
	6	94	90	92	89	91	88	88	
	8	88	85	87	84	86	83	83	
	10	84	80	83	79	82	79	79	

Zonal Cavity Method  
Effective Floor Cavity Reflectance 20%

#### ZONAL LUMEN SUMMARY

ZONE	LUMENS	%LUMINAIRE
0-30	924	90.25%
0-40	965	94.23%
0-60	1,002	97.86%
60-90	22	2.14%
0-90	1,024	100%

#### MULTIPLE UNIT DATA - (RCR 2)

SPACING ON CENTER	INITIAL FOOTCANDLES	WATTS/SQ. FT.
5'	50	1
6'	28	0.56
7'	20	0.39
8'	20	0.39
9'	13	0.25

Local 38' x 38' x 10'. Workplan located 2 1/2' (30").  
Reflection factor of 80%/50%/30%.

#### CANDELAS DISTRIBUTION

DEGREES/VERTICAL	CANDELAS	DEGREES/VERTICAL	CANDELAS
0	2,883	45	36
5	2,763	55	19
10	2,261	65	18
15	1,640	75	15
20	1,056	85	16
25	389	90	0
35	49		

# CONTRASTE

1009, rue du Parc Industriel  
Lévis (Québec) G6Z 1C5 Canada  
Tel.: 1-888-839-4624  
Fax.: 1-877-839-7057  
contrastlighting.com  
info@contrastlighting.com

© 2017 Contrast Lighting M.L. Inc.  
All rights reserved

Contrast Lighting M.L. Inc. reserves the right to make changes in specifications and/or to discontinue any product at any time without notice or obligation and will not be liable for any consequences resulting from the use of this publication.



# Concerto LED - LD3G

3-1/2" Series

## LD3G MODEL PHOTOMETRIC DATA

### With performance 1 housing

	Narrow Flood	
<b>2,700K with 80 CRI</b>	742.4 Lms	46.2 lm/W
<b>3,000K with 90 CRI</b>	629 Lms	38.3 lm/W
<b>3,500K with 80 CRI</b>	836.2 Lms	52.2 lm/W
<b>4,000K with 80 CRI</b>	826 Lms	52.6 lm/W

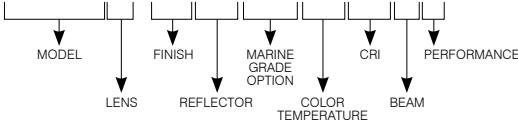
### With performance 2 housing

	Narrow Flood	
<b>2,700K with 80 CRI</b>	1,004 Lms	44.4 lm/W
<b>3,000K with 90 CRI</b>	827.9 Lms	35.9 lm/W
<b>3,500K with 80 CRI</b>	1,145 Lms	50.7 lm/W
<b>4,000K with 80 CRI</b>	1,131 Lms	49.6 lm/W

\* All .ies and Lighting facts files are available on our Website.

### CODIFICATION EXAMPLE

**LD3GC-1111MG4080M2**



### ORDERING CODES

MODEL	LENSES	TRIM FINISHES	REFLECTORS	MARINE GRADE	COLOR TEMPERATURES	CRI	BEAM	PERFORMANCE
<b>LD3G</b>							<b>M</b>	<b>2</b>
<b>LD3G</b>	<b>C</b> Clear	<b>-01</b> White	<b>ANODIZED</b>	<b>MG (optional)</b>	<b>27</b> 2,700K	<b>80</b> 80+ CRI	<b>M</b> Narrow Flood (33°)	<b>2</b>
	<b>F</b> Frosted	<b>-02</b> Black	<b>AN</b> Anodized Aluminum	May be applied on finishes: -01, -02, -05, -06, -11 and -15	<b>30</b> 3,000K	<b>90</b> 90+ CRI		
	<b>H</b> Honeycomb	<b>-03</b> 24K Gold Plated	<b>SPECULAR</b>		<b>35</b> 3,500K	(only with 3,000K)		
	<b>L</b> Linear	<b>-04</b> Chrome	<b>CL</b> Clear		<b>40</b> 4,000K			
	<b>P</b> Prismatic	<b>-04BR</b> Brushed Chrome	<b>BK</b> Black					
	<b>S</b> Solite	<b>-05</b> Architectural Bronze	<b>PAINTED</b>					
		<b>-06</b> Antique Copper	<b>01</b> White*					
		<b>-11</b> Matte White	<b>02</b> Black					
		<b>-12BR</b> Brushed Nickel	<b>05</b> Architectural Bronze*					
		<b>-13</b> Satin Nickel	<b>06</b> Antique Copper*					
		<b>-15</b> Metallic Grey	<b>11</b> Matte White*					
			<b>15</b> Metallic Grey*					

Use with Performance 1 or Performance 2 Housings

\*These reflector colors are available only with the same trim color.

For future on site modification of the light distribution.

### Ordering codes: replacement lenses.

#### Lenses (to modify light diffusion)

Linear: **103091** Honeycomb: **103089**  
 Solite: **103097** Frosted: **316206**  
 Prismatic: **103094** Clear: **102958**

**MARINE GRADE** - Unless otherwise indicated, trims are for interior, cold and exterior locations where fixtures are not subject to direct rain or snow exposure as in soffits. **MARINE GRADE** treatment is recommended for exterior, shower and high salinity environment.



# CONTRASTE

1009, rue du Parc Industriel  
 Lévis (Québec) G6Z 1C5 Canada  
 Tel.: 1-888-839-4624  
 Fax.: 1-877-839-7057  
 contrastlighting.com  
 info@contrastlighting.com

© 2017 Contrast Lighting M.L. Inc.  
 All rights reserved

Contrast Lighting M.L. Inc. reserves the right to make changes in specifications and/or to discontinue any product at any time without notice or obligation and will not be liable for any consequences resulting from the use of this publication.