

Concerto LED - LD3C

3-1/2" Series

Low Profile Round Shower Trim

DESCRIPTION

This series round or square trims, wide beam and frosted lens, illuminates almost entirely confined space such as a shower.

SPECIFICATIONS

COLOR TEMPERATURE 2,700K, 3,000K, 3,500K and 4,000K

CRI 80 +
90 + (only at 3,000K)

POWER SUPPLY Several driver models available giving you 3 dimming options: ELV, 0-10V or Pulse Width Modulation (PWM).

LED MODULE Bridgelux Vero 18, delivers a lumen maintenance greater than 70% after 50,000 hours of operation (L_{70}). Provides a high quality true color and a clean white light without hot spots. Binning within 3 steps on MacAdam ellipse. Surpass ANSI binning requirements.

DELIVERED LUMENS (Determined by the choice of housing)
Performance 1: 860 lumens, 55 lm/W
Performance 2: 1,205 lumens, 53 lm/W

TRIM Powder coated paint or plated die-formed steel. Different finishes available. Painted finishes available with Marine Grade option.

BEAM **W:** Flood \longrightarrow 51°

LENS **Choice of lenses available:**
Clear (C), Frosted (F), Frosted with clear center (FC)

HEAT SINK High quality aluminum injected heat sink ensuring maximum heat dissipation.

CEILING CUTOUT \varnothing 3-5/8" (92 mm)

COMPATIBLE HOUSINGS

(Performance 2 trims work with either performance 1 and 2 housings.)

	Remodel Housing	New Construction Housing	Insulated Housing
Performance 1 (1,500 lumens)	RELD300LE1 RELD300LD1 RELD300LA1	NWLD300LE1 NWLD300LD1 NWLD300LA1	ISLD300LE1 ISLD300LD1 ISLD300LA1
Performance 2 (2,000 lumens)	RELD300LE2 RELD300LD2 RELD300LA2	NWLD300LE2 NWLD300LD2 NWLD300LA2	ISLD300LE2 ISLD300LD2 ISLD300LA2

For dimming, please refer to the selected housing specification sheet.

CERTIFICATION cULus **E343977** for **wet locations**

WARRANTY 1 year for standard finishes, 2 years on "Marine Grade" finish and 5 years on LED module.

Project _____

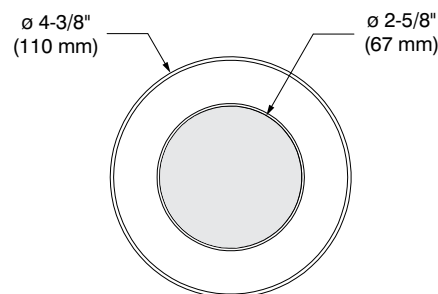
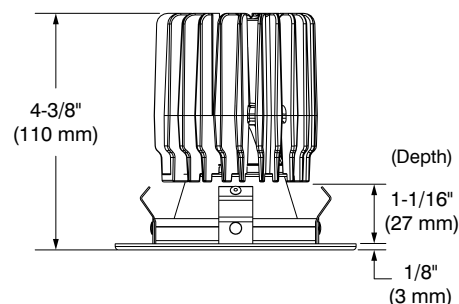
Notes _____

Fixture Type _____

Date _____



LD3CF-15 (illustrated)



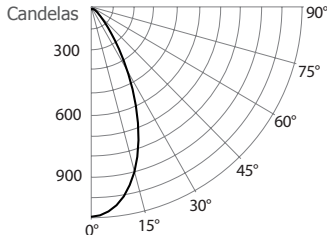
Concerto LED - LD3C

3-1/2" Series

PHOTOMETRIC DATA

3,000K, 80 + of CRI, Flood with performance 1 housing

CANDLEPOWER DISTRIBUTION



LIGHT CONE

Distance	FC	DIA
06'	27.2	5.7'
08'	15.3	7.6'
10'	9.8	9.5'
12'	6.8	11.4'
14'	5.0	13.3'
16'	3.8	15.2'

Beam: 51°
Beam Edge defined as 50% of Maximum Nadir Candle-power.

LUMINAIRE

Performance 1 LED	3,000K Flood	
CBCP / Lumens	979	/ 859
Watts	120V	277V
	15.59W	16.09W
Operating AMPS	0.13A	0.058A
Lumen Maintenance	L70 @ 50,000 Hrs	
CRI	80 +	
Lumens/Watt	55	
Spacing Criteria	0.8	
Certificate LM79-08	Based on test 475837	

COEFFICIENT OF UTILIZATION - %

Ceiling Reflect %	80			50			30		
Wall Reflect %	50	30	50	30	50	30	50	30	
RCR	0	119	119	111	111	106	106	106	
	2	103	99	98	95	95	92	92	
	4	90	85	87	83	85	81	81	
	6	80	74	78	73	76	72	72	
	8	71	65	69	64	68	64	64	
	10	64	58	62	57	62	57	57	

Zonal Cavity Method
Effective Floor Cavity Reflectance 20%

ZONAL LUMEN SUMMARY

ZONE	LUMENS	%LUMINAIRE
0-30	539	62.69%
0-40	687	79.97%
0-60	809	94.18%
60-90	50	5.82%
0-90	859	100%

MULTIPLE UNIT DATA - (RCR 2)

SPACING ON CENTER	INITIAL FOOTCANDLES	WATTS/ SQ. FT.
5'	40	0.69
6'	23	0.39
7'	16	0.27
8'	16	0.27
9'	10	0.17

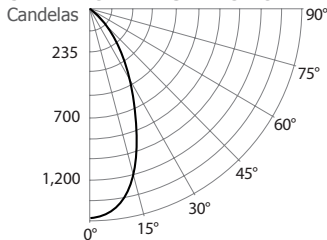
Local 38' x 38' x 10'. Workplan located 2 1/2' (30°).
Reflection factor of 80%/50%/30%.

CANDELAS DISTRIBUTION

DEGREES/ VERTICAL	CANDELAS	DEGREES/ VERTICAL	CANDELAS
0	979	45	98
5	958	55	49
10	897	65	28
15	796	75	15
20	659	85	7
25	504	90	0
35	235		

3,000K, 80 + of CRI, Flood with performance 2 housing

CANDLEPOWER DISTRIBUTION



LIGHT CONE

Distance	FC	DIA
06'	38.1	5.7'
08'	21.4	7.6'
10'	13.7	9.5'
12'	9.5	11.4'
14'	7.0	13.4'
16'	5.4	15.3'

Beam: 51°
Beam Edge defined as 50% of Maximum Nadir Candle-power.

LUMINAIRE

Performance 2 LED	3,000K Flood	
CBCP / Lumens	1,370	/ 1,204
Watts	120V	277V
	22.6W	23.1W
Operating AMPS	0.19A	0.083A
Lumen Maintenance	L70 @ 50,000 Hrs	
CRI	80 +	
Lumens/Watt	53	
Spacing Criteria	0.8	
Certificate LM79-08	Base on test 475837	

COEFFICIENT OF UTILIZATION - %

Ceiling Reflect %	80			50			30		
Wall Reflect %	50	30	50	30	50	30	50	30	
RCR	0	119	119	111	111	106	106	106	
	2	100	95	95	91	92	89	89	
	4	85	79	82	77	80	76	76	
	6	74	68	72	66	70	65	65	
	8	65	59	64	58	62	57	57	
	10	58	52	57	51	56	51	51	

Zonal Cavity Method
Effective Floor Cavity Reflectance 20%

ZONAL LUMEN SUMMARY

ZONE	LUMENS	%LUMINAIRE
0-30	754	62.6%
0-40	963	79.9%
0-60	1,134	94.2%
60-90	70	5.8%
0-90	1,204	100%

MULTIPLE UNIT DATA - (RCR 2)

SPACING ON CENTER	INITIAL FOOTCANDLES	WATTS/ SQ. FT.
5'	56	0.69
6'	32	0.39
7'	22	0.27
8'	22	0.27
9'	14	0.17

Local 38' x 38' x 10'. Workplan located 2 1/2' (30°).
Reflection factor of 80%/50%/30%.

CANDELAS DISTRIBUTION

DEGREES/ VERTICAL	CANDELAS	DEGREES/ VERTICAL	CANDELAS
0	1,370	45	137
5	1,341	55	68
10	1,256	65	39
15	1,114	75	21
20	923	85	10
25	706	90	0
35	328		

Concerto LED - LD3C

3-1/2" Series

LD3C MODEL PHOTOMETRIC DATA

With performance 1 housing

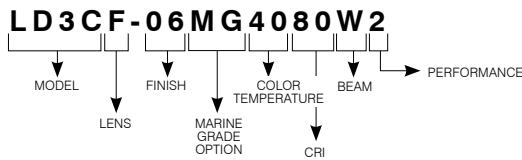
	Flood	
2,700K with 80 CRI	913.6 Lms	57.2 lm/W
3,000K with 90 CRI	715.4 Lms	44.6 lm/W
3,500K with 80 CRI	1,004 Lms	63.1 lm/W
4,000K with 80 CRI	1,023 Lms	65.2 lm/W

With performance 2 housing

	Flood	
2,700K with 80 CRI	1,128 Lms	51.3 lm/W
3,000K with 90 CRI	942 Lms	42.8 lm/W
3,500K with 80 CRI	1,270 Lms	58.1 lm/W
4,000K with 80 CRI	1,294 Lms	60.2 lm/W

* All .ies files are available on our Website.

CODIFICATION EXAMPLE



ORDERING CODES

MODEL	LENSES	TRIM FINISHES	MARINE GRADE	COLOR TEMPERATURES	CRI	BEAM	PERFORMANCE
LD3C						W	2
LD3C	F Frosted	-01 White	MG (optional)	27 2,700K	80 80+ CRI	W Flood (51°)	Use with Performance 1 or Performance 2 Housings
	FC Frosted with clear center	-02 Black	May be applied on finishes: -01, -02, -05, -06, -11 and -15.	30 3,000K	90 90+ CRI		
		-03 24K Gold Plated		35 3,500K	(only with 3,000K)		
	C Clear	-04 Chrome		40 4,000K			
		-04BR Brushed Chrome					
		-05 Architectural Bronze					
		-06 Antique Copper					
		-11 Matte White					
		-12BR Brushed Nickel					
		-13 Satin Nickel					
		-15 Metallic Grey					

MARINE GRADE

2-year warranty on finish

This option increases the painted finishes resistance by reducing and delaying apparition and propagation of oxidation (ex: rust and others).

MARINE GRADE treatment is recommended for damp to wet locations.

Unless otherwise indicated, trims are for interior use. Also suitable for cold and exterior locations, as in soffits, where fixtures are not subject to direct rain or snow exposure.

WARNING – This option is not suitable for salt environments and/or highly corrosive areas such as soffits in coastal regions and natatoriums.

Such usage would void warranty on the product.

