

FR6HO

Compact Fluorescent 6" Series

Project	
Notes	
Fixture Type	
Date	

Open Reflector Trim for Horizontal Lamp

SPECIFICATIONS

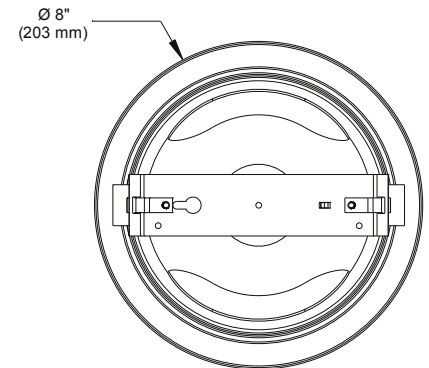
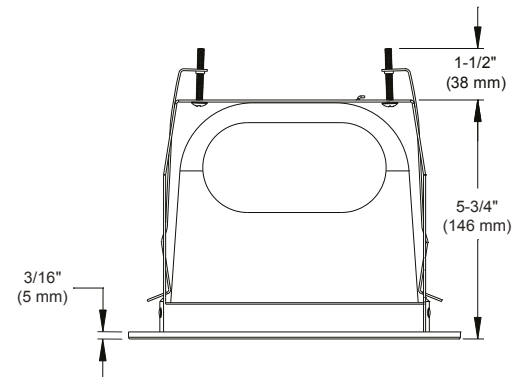
TRIM	Powder coated paint or plated die-formed steel. Different finishes available. Painted finishes available with Marine Grade option.
LAMPS	Compact Fluorescent 13W CFL 4 PIN DTT 18W CFL 4 PIN DTT 26W CFL 4 PIN DTT 32W CFL 4 PIN TTT
REFLECTOR	Standard: Semi-specular low iridescence Also available: Matte iridescence free. Add a "M" after the "O" in the code. Example: FR6HOM-01
CEILING CUTOUT	Ø 6-3/4" (171 mm)
CERTIFICATION	cULus E175084 for damp locations
WARRANTY	1 year for standard finishes, 2 years on "Marine Grade" finish.



FR6HO-11
(illustrated)

COMPATIBLE HOUSINGS

	Remodel Housing	New Construction Housing	Insulated Housing
FLUORESCENT	CFL 13W 4 PIN DTT F6HU13 F6HU13S	CFL 13W 4 PIN DTT NWF6HU13 NWF6HU13S	Non Available
	CFL 18W 4 PIN DTT F6HU18 F6HU18S	CFL 18W 4 PIN DTT NWF6HU18 NWFHU18S	
	CFL 26W 4 PIN DTT F6HU26 F6HU26S	CFL 26W 4 PIN DTT NWF6HU26 NWF6HU26S	
	CFL 32W 4 PIN TTT F6HU32S	CFL 32W 4 PIN TTT NWF6HU32S	



CONTRAST
LIGHTING

2015-10

1009, rue du Parc Industriel
Lévis (Québec) G6Z 1C5 Canada
Tel.: 1-888-839-4624 Fax: 1-877-839-7057
info@contrastlighting.com
www.contrastlighting.com

© 2015 Contrast Lighting M.L. Inc.
All rights reserved

Contrast Lighting reserves the right to make changes in specifications and/or to discontinue any product at any time without notice or obligation and will not be liable for any consequences resulting from the use of this publication.

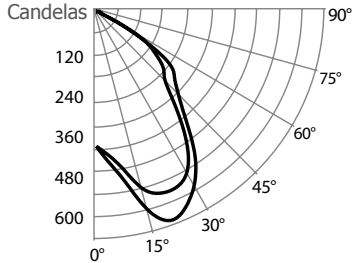
FR6HO

Compact Fluorescent 6" Series

PHOTOMETRIC DATAS (2 x DTT Horizontal)

2 X 13W Elect. DTT

CANDLEPOWER DISTRIBUTION



CONE OF LIGHT

Distance	FC	DIA
06'	16.5	1'
08'	9.3	1.3'
10'	5.9	1.7'
12'	4.1	2'
14'	3	2.3'
16'	2.3	2.7'
18'	1.8	3'
20'	1.5	3.3'

Beam Edge defined as 50% of Maximum Nadir Candlepower

LUMINAIRE

Lamp Type	Two 13W Quad, 4 pin		
Initial Lumens	1800		
	120V	277V	347V
Input Watts	30W	30W	33W
Operating AMPS	0.26A	0.11A	0.10A
Luminaire Efficiency	63%		
Spacing Criteria	1.4 (0-180) 1.6 (90-270)		
Certificate	S0612054R1		
Matte Reflector Multiplier	0.80		

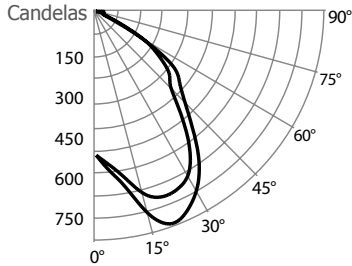
COEFFICIENT OF UTILIZATION - %

Ceiling Reflect %	80			50			30		
Wall Reflect %	50	30	50	30	50	30	50	30	
RCR	0	76	76	71	71	65	65	65	
	2	60	56	57	54	53	51		
	4	48	43	46	42	43	40		
	6	39	34	37	33	35	32		
	8	33	27	31	27	30	26		
	10	28	23	27	22	28	22		

Zonal Cavity Method Effective Floor Cavity Reflectance 20%

2 X 18W Elect. DTT

CANDLEPOWER DISTRIBUTION



CONE OF LIGHT

Distance	FC	DIA
06'	20.4	1'
08'	11.5	1.3'
10'	7.3	1.7'
12'	5.1	2'
14'	3.7	2.3'
16'	2.9	2.7'
18'	2.3	3'
20'	1.8	3.3'

Beam Edge defined as 50% of Maximum Nadir Candlepower

LUMINAIRE

Lamp Type	Two 18W Quad, 4 pin		
Initial Lumens	2400		
	120V	277V	347V
Input Watts	35W	35W	38W
Operating AMPS	0.30A	0.13A	0.11A
Luminaire Efficiency	62%		
Spacing Criteria	1.4 (0-180) 1.6 (90-270)		
Certificate	S0612064R1		
Matte Reflector Multiplier	0.80		

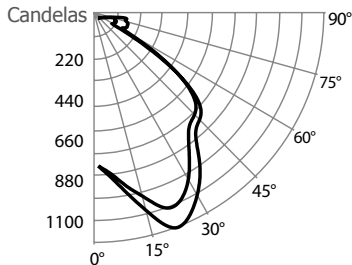
COEFFICIENT OF UTILIZATION - %

Ceiling Reflect %	80			50			30		
Wall Reflect %	50	30	50	30	50	30	50	30	
RCR	0	74	74	69	69	63	63	63	
	2	59	55	55	52	51	49		
	4	47	42	44	40	42	39		
	6	38	33	36	32	34	31		
	8	32	27	30	26	29	25		
	10	27	22	26	22	25	21		

Zonal Cavity Method Effective Floor Cavity Reflectance 20%

2 X 26W Elect. DTT

CANDLEPOWER DISTRIBUTION



CONE OF LIGHT

Distance	FC	DIA
06'	29.1	1.2'
08'	16.4	1.6'
10'	10.5	2'
12'	7.3	2.4'
14'	5.3	2.8'
16'	4.1	3.2'
18'	3.2	3.6'
20'	2.6	4'

Beam Edge defined as 50% of Maximum Nadir Candlepower

LUMINAIRE

Lamp Type	Two 26W Quad, 4 pin		
Initial Lumens	3420		
	120V	277V	347V
Input Watts	56W	56W	57W
Operating AMPS	0.47A	0.21A	0.17A
Luminaire Efficiency	67%		
Spacing Criteria	1.4 (0-180) 1.6 (90-270)		
Certificate	S0612074R1		
Matte Reflector Multiplier	0.80		

COEFFICIENT OF UTILIZATION - %

Ceiling Reflect %	80			50			30		
Wall Reflect %	50	30	50	30	50	30	50	30	
RCR	0	80	80	75	75	69	69	69	
	2	63	59	59	56	55	53		
	4	50	45	48	43	45	41		
	6	41	35	39	34	37	33		
	8	34	28	32	28	31	27		
	10	29	23	28	23	26	22		

Zonal Cavity Method Effective Floor Cavity Reflectance 20%



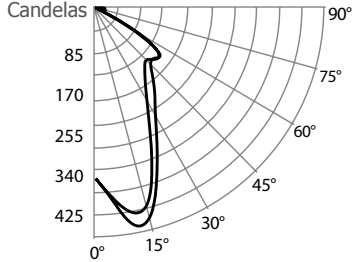
FR6HO

Compact Fluorescent 6" Series

PHOTOMETRIC DATAS (1 x DTT/TTT Horizontal)

1 X 13W Elect. DTT

CANDLEPOWER DISTRIBUTION



CONE OF LIGHT

Distance	FC	DIA
06'	11.3	0.6'
08'	6.3	0.8'
10'	4.1	1'
12'	2.8	1.2'
14'	2.1	1.3'
16'	1.6	1.5'
18'	1.3	1.7'
20'	1	1.9'

Beam Edge defined as 50% of Maximum Nadir Candlepower

LUMINAIRE

Lamp Type	13W Quad, 4 pin		
Initial Lumens	900		
	120V	277V	347V
Input Watts	18W	18W	18W
Operating AMPS	0.15A	0.07A	0.06A
Luminaire Efficiency	77.6%		
Spacing Criteria	0.8 (0-180) 1(90-270)		
Certificate	S0612051R1		
Matte Reflector Multiplier	0.76		

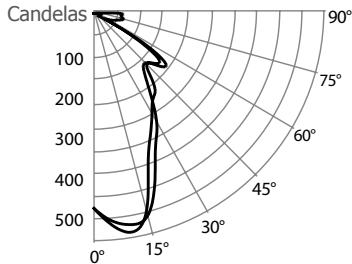
COEFFICIENT OF UTILIZATION - %

Ceiling Reflect %	80			50			30		
	50	30	50	30	50	30			
Wall Reflect %	50	30	50	30	50	30			
RCR	0	92	92	86	86	79	79		
	2	72	68	68	64	63	61		
	4	58	52	55	50	52	48		
	6	48	41	46	40	43	39		
	8	40	34	39	33	37	32		
	10	35	29	33	28	32	28		

Zonal Cavity Method Effective Floor Cavity Reflectance 20%

1 X 18W Elect. DTT

CANDLEPOWER DISTRIBUTION



CONE OF LIGHT

Distance	FC	DIA
06'	13.6	0.6'
08'	7.6	0.8'
10'	4.9	1'
12'	3.4	1.2'
14'	2.5	1.3'
16'	1.9	1.5'
18'	1.5	1.7'
20'	1.2	1.9'

Beam Edge defined as 50% of Maximum Nadir Candlepower

LUMINAIRE

Lamp Type	18W Quad, 4 pin		
Initial Lumens	1200		
	120V	277V	347V
Input Watts	19W	19W	21W
Operating AMPS	0.16A	0.07A	0.06A
Luminaire Efficiency	75.8%		
Spacing Criteria	1 (0-180) 1.1 (90-270)		
Certificate	S0612061R1		
Matte Reflector Multiplier	0.76		

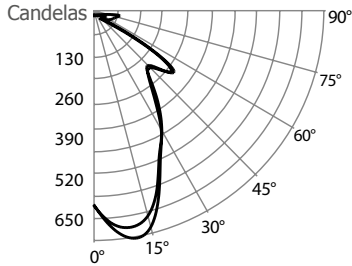
COEFFICIENT OF UTILIZATION - %

Ceiling Reflect %	80			50			30		
	50	30	50	30	50	30			
Wall Reflect %	50	30	50	30	50	30			
RCR	0	90	90	84	84	77	77		
	2	71	66	67	63	62	60		
	4	57	51	54	49	50	47		
	6	47	40	44	39	42	38		
	8	39	33	38	32	36	31		
	10	34	28	32	27	31	27		

Zonal Cavity Method Effective Floor Cavity Reflectance 20%

1 X 26W Elect. DTT

CANDLEPOWER DISTRIBUTION



CONE OF LIGHT

Distance	FC	DIA
06'	17.7	0.7'
08'	10	0.9'
10'	6.4	1.2'
12'	4.4	1.4'
14'	3.3	1.6'
16'	2.5	1.9'
18'	2	2.1'
20'	1.6	2.3'

Beam Edge defined as 50% of Maximum Nadir Candlepower

LUMINAIRE

Lamp Type	26W Quad, 4 pin		
Initial Lumens	1710		
	120V	277V	347V
Input Watts	28W	28W	31W
Operating AMPS	0.25A	0.11A	0.09A
Luminaire Efficiency	71.1%		
Spacing Criteria	1.1 (0-180) 1.1 (90-270)		
Certificate	S0612071R1		
Matte Reflector Multiplier	0.76		

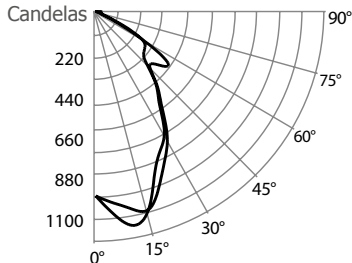
COEFFICIENT OF UTILIZATION - %

Ceiling Reflect %	80			50			30		
	50	30	50	30	50	30			
Wall Reflect %	50	30	50	30	50	30			
RCR	0	85	85	79	79	72	72		
	2	66	61	62	58	57	55		
	4	52	46	49	45	46	43		
	6	43	36	41	35	38	34		
	8	36	30	34	29	32	28		
	10	30	25	29	25	28	24		

Zonal Cavity Method Effective Floor Cavity Reflectance 20%

1 X 32W Elect. TTT

CANDLEPOWER DISTRIBUTION



CONE OF LIGHT

Distance	FC	DIA
06'	29.5	0.7'
08'	16.6	0.9'
10'	10.6	1.2'
12'	7.4	1.4'
14'	5.4	1.6'
16'	4.1	1.9'
18'	3.3	2.1'
20'	2.7	2.3'

Beam Edge defined as 50% of Maximum Nadir Candlepower

LUMINAIRE

Lamp Type	32W Triple Tube, 4 pin		
Initial Lumens	2400		
	120V	277V	347V
Input Watts	36W	36W	36W
Operating AMPS	0.30A	0.13A	0.11A
Luminaire Efficiency	84%		
Spacing Criteria	1.1 (0-180) 1.1 (90-270)		
Certificate	S0612081R1		
Matte Reflector Multiplier	0.76		

COEFFICIENT OF UTILIZATION - %

Ceiling Reflect %	80			50			30		
	50	30	50	30	50	30			
Wall Reflect %	50	30	50	30	50	30			
RCR	0	101	101	94	94	86	86		
	2	80	75	75	71	70	67		
	4	64	57	61	55	57	53		
	6	52	45	50	44	47	43		
	8	44	37	42	36	40	35		
	10	38	31	36	31	35	30		

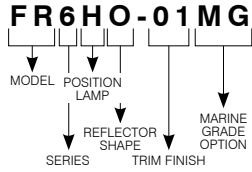
Zonal Cavity Method Effective Floor Cavity Reflectance 20%



FR6HO

Compact Fluorescent 6" Series

CODIFICATION EXAMPLE



ORDERING CODE

MODEL	SERIES	POSITION LAMP	REFLECTOR SHAPE	REFLECTOR	TRIM FINISH	MARINE GRADE
FR	6	H	O			
FR Compact Fluorescent	6 6 inches	H Horizontal	O Open	... Standard: Semi-specular low iridescence M Matte Reflector iridescence free	-01 White -02 Black -04 Chrome -04BR Brushed Chrome -05 Architectural Bronze -06 Antique Copper -11 Matte White -12BR Brushed Nickel -13 Satin Nickel -15 Metallic Grey	MG (optional) May be applied on finishes: -01, -02, -05, -06, -11 and -15

MARINE GRADE - Unless otherwise indicated, trims are for interior, cold and exterior locations where fixtures are not subject to direct rain or snow exposure as in soffits. **MARINE GRADE** treatment is recommended for exterior, shower and high salinity environment.

