

B3600

3-1/2" Series

Decor Trim

Project	
Notes	
Fixture Type	
Date	

SPECIFICATIONS

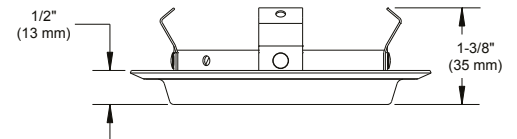
TRIM	Powder coat painted or plated die-formed steel. Different finishes available. Painted finishes available with Marine Grade option.
LAMPS	PAR20 50W If you want to use the dimming option and you use a PAR20 LED lamp, please refer regularly to the lamp manufacturer compatibility list.
CEILING CUTOUT	Ø 3-5/8" (92 mm)
CERTIFICATION	cULus E174023 for damp locations
WARRANTY	1 year for standard finishes, 2-year on "Marine Grade" finish.



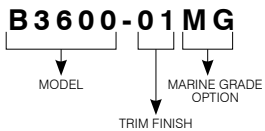
B3600-11 (illustrated)

COMPATIBLES HOUSINGS

	Remodel Housing	New Construction Housing	Insulated Housing
HALOGENS	PAR20 E26 50W CA3600U	PAR20 E26 50W NW3600CAU	PAR20 E26 50W ISCA3600

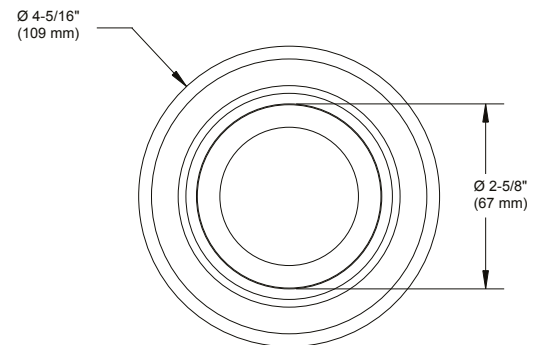


CODIFICATION EXAMPLE



ORDERING CODE

MODEL	TRIM FINISH	MARINE GRADE
B3600		
-01	White	MG (optional)
-02	Black	May be applied on finishes:
-03	Gold Plated 24K	-01, -02, -05, -06, -11 and -15
-04	Chrome	
-04BR	Brushed Chrome	
-05	Architectural Bronze	
-06	Antique Copper	
-11	Matte White	
-12BR	Brushed Nickel	
-13	Satin Nickel	
-15	Metallic Grey	



MARINE GRADE - Unless otherwise indicated, trims are for interior, cold and exterior locations where fixtures are not subject to direct rain or snow exposure as in soffits. MARINE GRADE treatment is recommended for exterior, shower and high salinity environment.

