

SPECIFICATION SHEET

Ardito LED - A4SSF

4" Series

Ultra-Thin Profile Square Regressed Shower Trim

Project _____

Notes _____

Fixture Type _____

Date _____



WITH FLANGE

A4SSF-1111 - XXX (illustrated)



FLANGELESS TRIM

A4SSF-TR11 - XXX (illustrated)

Square, 4" high efficiency regressed shower dimmable LED downlight trim. May be installed with a low profile ultra-thin flange or flangeless trim in configuration for insulated, non-insulated and remodel (non-IC) ceilings.



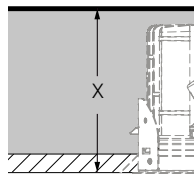
SPECIFICATIONS

COLOR TEMPERATURES	2,700K - 3,000K - 3,500K - 4,000K
CRI	90+
POWER SUPPLY	120V - 277V One driver model available in two performances (14W and 23W) and offering 2 dimming options: ELV: 120V (14W and 23W) (120V only) 0-10V: 120V (14W and 23W) (120V only) Consult housing specification sheet for more details

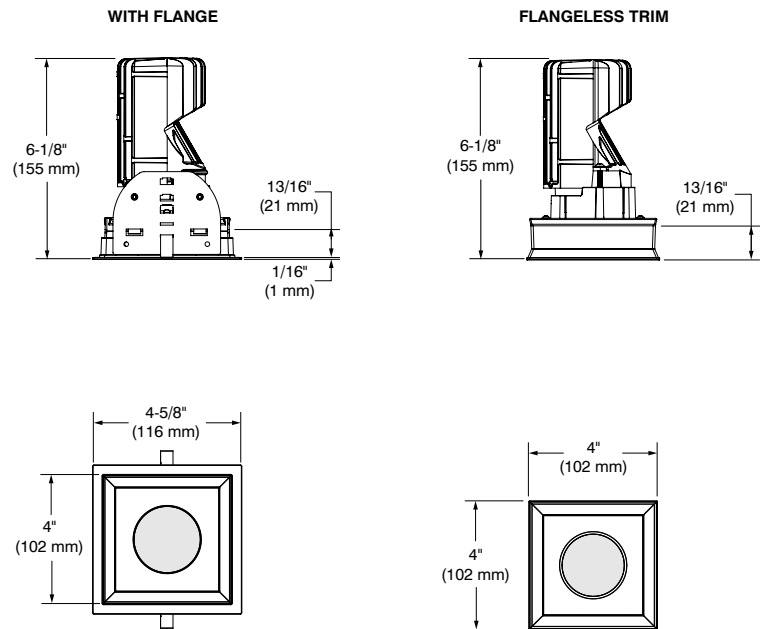
Requires a 6-1/2" (165 mm) clearance beyond the ceiling level 0.036" (0.91 mm) galvanized steel housing

HOUSING DETAILS

Perfect fit into ceiling



Each part of the housing should be at LEAST 3" (76 mm) from insulation (non-IC configurations)
Can fit in ceilings up to 1-1/2" (38 mm) thick
Junction box is accessible from below the ceiling for ease of maintenance



Ardito LED - A4SSF

4" Series

Ultra-Thin Profile Square Regressed Shower Trim



SPECIFICATIONS (CONT'D)

	Remodel Housing	New Construction Housing	Insulated Housing	Ceiling thickness suggested for insulated housing as a using standard.
COMPATIBLE HOUSINGS	Performance 1	REA4V1	NWA4SV1	* ISA4SV1
	Performance 2	REA4V2	NWA4SV2	* ISA4SV2

* Ceiling thickness must be at least 1/4" (6.4 mm) for insulated housing as a using standard.

For dimming, please visit our Web site frequently to find our dimmer compatibility list:
www.contrastlighting.com

MUD-IN-PLATE **MIPA4S** (sold separately)
 Consult housing specification sheet for more details.

DELIVERED LUMENS **Performance 1 (14W) Standard:** 1,055 lumens @ 3,000K, 45.7 lm/W
Performance 2 (23W) Standard: 1,524 lumens @ 3,000K, 66.13 lm/W

LED ARRAY **Standard:**
 Lumileds Luxeon CoB 1205 GEN2 or CoB 1203 GEN2 (Spot Beam Only) delivers a lumen maintenance greater than 70% after 50,000 hours of operation (L_{70}) and provides a high quality true color and a clean white light without hot spots. Color binning within 3 steps on MacAdam ellipse which surpasses ANSI binning requirements.

TRIM FINISHES Powder coated paint or plated die formed steel.
 Different finishes available: 24K Gold Plated **(-03)**, Chrome **(-04)**, Brushed Chrome **(-04BR)**, Matte White **(-11)**, Brushed Nickel **(-12BR)**, Satin Nickel **(-13)** and Matte Black **(-22)**

FLANGELESS TRIM Steel mud-in-plate for flangeless trim, allows you to apply plaster up to Ardito fixture opening edges.
 For this option, please refer to ordering code.

REFLECTOR FINISHES **Painted**
 Matte White **(11)** Natural Anodized Aluminum **(AN)**
 Matte Black **(22)** Noir **(BK)**

OPTIC SYSTEM Interchangeable optional optical reflectors and lenses available to customize your lighting.
Choice of available lenses: Standard - Frosted (included)
Lens (sold separately): Clear, Frosted, Honeycomb, Linear, Prismatic, Solite (refer to page 6 for more details)

* Consult .ies files on our Website for more details.

HEAT SINK High quality aluminum injected heat sink ensuring maximum heat dissipation

CONTRASTE

1009, rue du Parc Industriel
 Lévis (Québec) G6Z 1C5 Canada
 Tel.: 1-888-839-4624
 Fax.: 1-877-839-7057
 contrastlighting.com
 info@contrastlighting.com

© 2017 Contrast Lighting M.L. Inc.
 All rights reserved

Contrast Lighting M.L. Inc reserves the right to make changes in specifications and/or to discontinue any product at any time without notice or obligation and will not be liable for any consequences resulting from the use of this publication.

SPECIFICATION SHEET

Ardito LED - A4SSF

4" Series

Ultra-Thin Profile Square Regressed Shower Trim

SPECIFICATIONS (CONT'D)

THERMAL PROTECTION	Performance 1: TC 212°F (100°C) Performance 2: TC 212°F (100°C)
CEILING CUTOUT	4-1/4" (108 mm) x 4-1/4" (108 mm) Included: Cardboard cutout template Optional: Reusable steel cutout template for square trim (TEMP-SQ)
CERTIFICATION	<ul style="list-style-type: none"> cULus E343977 for wet locations Certified Air Tight ASTM E283
WARRANTY	1 year on components against manufacturing defects 5 years on LED arrays and drivers

CONTRASTE

1009, rue du Parc Industriel
Lévis (Québec) G6Z 1C5 Canada
Tel.: 1-888-839-4624
Fax.: 1-877-839-7057
contrastlighting.com
info@contrastlighting.com

© 2017 Contrast Lighting M.L. Inc.
All rights reserved

Contrast Lighting M.L. Inc reserves the right to make changes in specifications and/or to discontinue any product at any time without notice or obligation and will not be liable for any consequences resulting from the use of this publication.

Ardito LED - A4SSF

4" Series

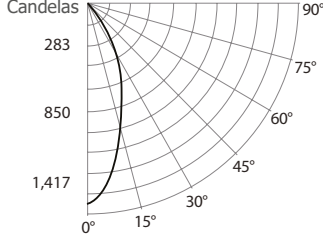
Ultra-Thin Profile Square Regressed Shower Trim

PHOTOMETRIC DATA



3,000K, 90+ CRI, Flood, Performance 1

CANDLEPOWER DISTRIBUTION



LIGHT CONE

Distance	FC	DIA
04'	98,6	3,2'
08'	24,6	6,4'
12'	11,0	9,6'
16'	6,2	12,9'

Beam: 44°
Beam Edge defined as 50% of Maximum Nadir Candle-power.

LUMINAIRE

Performance 1 LED	3,000K Flood	
CBCP / Lumens	1,629.9 / 1,055.6	
Watts	120V	277V
	14.08W	14.32W
Operating AMPS	0.19A	0.084A
Lumen Maintenance	L70 @ 50,000 Hrs	
CRI	90+	
Lumens/Watt	45.7	
Spacing Criteria	0.97	

COEFFICIENT OF UTILIZATION - %

Ceiling Reflect %	80		50		30		
Wall Reflect %	50	30	50	30	50	30	
RCR	0	121	121	113	113	108	108
	2	104	100	99	96	96	94
	4	91	85	88	83	86	82
	6	80	74	78	73	75	72
	8	71	65	70	64	69	64
	10	64	58	63	58	62	57

Zonal Cavity Method
Effective Floor Cavity Reflectance 20%

ZONAL LUMEN SUMMARY

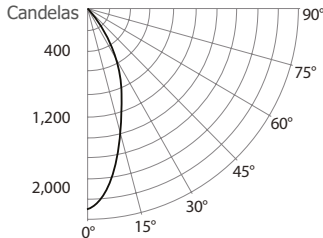
ZONE	LUMENS	%LUMINAIRE
0-30	762.0	71,1%
0-40	941.2	87,9%
0-60	1,059.2	98,9%
60-90	11.9	1,1%
0-90	1,071.0	100%

CANDELAS DISTRIBUTION

DEGREES/ VERTICAL	CANDELAS	DEGREES/ VERTICAL	CANDELAS
0	1,577	40	153
5	1,437	50	57
10	1,232	60	22
15	1,000	70	2
20	770	80	0
25	560	90	0
30	381		

3,000K, 90+ CRI, Flood, Performance 2

CANDLEPOWER DISTRIBUTION



LIGHT CONE

Distance	FC	DIA
04'	142.5	3,2'
08'	35.6	6,5'
12'	15.8	9,7'
16'	8,9	13,0'

Beam: 44°
Beam Edge defined as 50% of Maximum Nadir Candle-power.

LUMINAIRE

Performance 2 LED	3,000K Flood	
CBCP / Lumens	2,350 / 1,524.3	
Watts	120V	277V
	23.05W	23.29W
Operating AMPS	0.10A	0.08A
Lumen Maintenance	L70 @ 50,000 Hrs	
CRI	90+	
Lumens/Watt	66.13	
Spacing Criteria	0.99	

COEFFICIENT OF UTILIZATION - %

Ceiling Reflect %	80		50		30		
Wall Reflect %	50	30	50	30	50	30	
RCR	0	121	121	113	113	108	108
	2	104	100	99	96	96	94
	4	91	85	88	83	86	82
	6	80	74	78	73	75	72
	8	71	65	70	64	69	64
	10	64	58	63	58	62	57

Zonal Cavity Method
Effective Floor Cavity Reflectance 20%

ZONAL LUMEN SUMMARY

ZONE	LUMENS	%LUMINAIRE
0-30	1,100.5	71,1%
0-40	1,359.3	87,9%
0-60	1,530.0	98,9%
60-90	16.7	1,1%
0-90	1,546.97	100%

CANDELAS DISTRIBUTION

DEGREES/ VERTICAL	CANDELAS	DEGREES/ VERTICAL	CANDELAS
0	2,280	40	222
5	2,078	50	84
10	1,778	60	31
15	1,442	70	3
20	1,113	80	0
25	810	90	0
30	552		

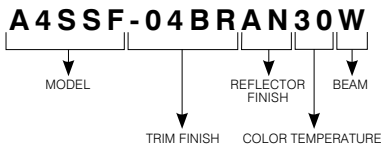
Ardito LED - A4SSF

4" Series

Ultra-Thin Profile Square Regressed Shower Trim



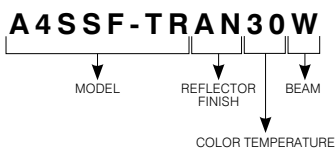
TRIM WITH FLANGE CODIFICATION EXAMPLE



TRIM WITH FLANGE ORDERING CODE **A4SSF**

MODEL	TRIM FINISHES	REFLECTOR FINISHES	COLOR TEMPERATURES	BEAM
A4SSF				W
A4SSF	-03 24K Gold Plated	Painted	27 2,700K	W Flood (44°)
	-04 Chrome	11 Matte White	30 3,000K	
	-04BR Brushed Chrome	22 Matte Black	35 3,500K	
	-11 Matte White	AN Natural Anodized Aluminum	40 4,000K	
	-12BR Brushed Nickel			
	-13 Satin Nickel	BK Black		
	-22 Matte Black			

FLANGELESS TRIM OPTION CODIFICATION EXAMPLE



FLANGELESS TRIM OPTION ORDERING CODE **A4SSF-TR** (see next page for mud-in-plate ordering code)

MODEL	REFLECTOR FINISHES	COLOR TEMPERATURES	BEAM
A3SSF-TR			W
A4SSF-TR	Painted	27 2,700K	W Flood (44°)
	11 Matte White	30 3,000K	
	22 Matte Black	35 3,500K	
	AN Natural Anodized Aluminum	40 4,000K	
	BK Black		

CONTRASTE

1009, rue du Parc Industriel
Lévis (Québec) G6Z 1C5 Canada
Tel.: 1-888-839-4624
Fax.: 1-877-839-7057
contrastlighting.com
info@contrastlighting.com

© 2017 Contrast Lighting M.L. Inc.
All rights reserved

Contrast Lighting M.L. Inc reserves the right to make changes in specifications and/or to discontinue any product at any time without notice or obligation and will not be liable for any consequences resulting from the use of this publication.

SPECIFICATION SHEET

Ardito LED - A4SSF

4" Series

Ultra-Thin Profile Square Regressed Shower Trim

ORDERING CODE for lenses replacement

For future on-site modifications of the light distribution.

Lenses (to modify light diffusion)

Clear: **104036**Prismatic: **104039**Frosted: **317240** (included)Honeycomb: **104040**Linear: **104037**Solite: **104038**

ORDERING CODE for Mud-in-Plate

MIPA4S

Consult housing specification sheet for more details.

CONTRASTE

1009, rue du Parc Industriel
Lévis (Québec) G6Z 1C5 Canada
Tel.: 1-888-839-4624
Fax.: 1-877-839-7057
contrastlighting.com
info@contrastlighting.com

© 2017 Contrast Lighting M.L. Inc.
All rights reserved

Contrast Lighting M.L. Inc reserves the right to make changes in specifications and/or to discontinue any product at any time without notice or obligation and will not be liable for any consequences resulting from the use of this publication.