

## SPECIFICATION SHEET

**Ardito LED - A2RSF**

2-1/2" Series

**Ultra-Thin Profile Round Regressed Shower Trim**

Project \_\_\_\_\_

Notes \_\_\_\_\_

Fixture Type \_\_\_\_\_

Date \_\_\_\_\_



A2RSF-22-XXX (illustrated)

Ultra-Thin Profile Round Regressed Shower Trim 2-1/2" high efficiency dimmable LED downlight. Offered in Remodel configuration (NON-IC), with optional mounting plate for new construction configuration (NON-IC) and new construction (IC).



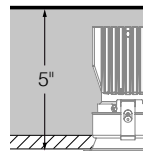
## SPÉCIFICATIONS

COLOR TEMPERATURE 2,700K - 3,000K - 3,500K - 4,000K

CRI 90+

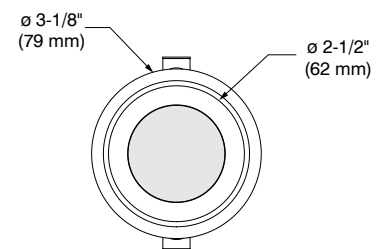
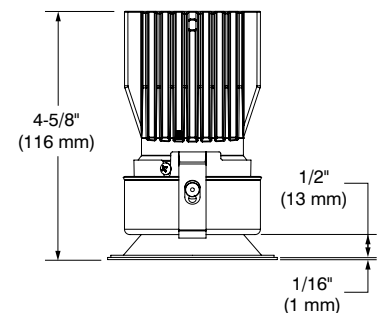
POWER SUPPLY 120V - 277V  
One driver available in performance 1 (14W) and offering 2 dimming options within the same unit:  
ELV: 120V (14W) (120V only)  
0-10V: 120V (14W) (120V/277V)  
Consult housing specification sheet for more details.

Requires a 5" (127 mm) clearance beyond the ceiling level when used with remodel housing.



HOUSING DETAILS Each part of the housing should be at LEAST 3" (76 mm) from insulation (Non-IC configurations).

Can fit in ceiling from 1/2" (12 mm) to 1-3/8" (35 mm) thick. Accessible from below the ceiling for ease of maintenance.

**CONTRASTE**

2017-09

PRINTED IN CANADA

1009, rue du Parc Industriel  
Lévis (Québec) G6Z 1C5 Canada  
Tel.: 1-888-839-4624  
Fax.: 1-877-839-7057  
contrastlighting.com  
info@contrastlighting.com

© 2017 Contrast Lighting M.L. Inc.  
All rights reserved

Contrast Lighting M.L. Inc. reserves the right to make changes in specifications and/or to discontinue any product at any time without notice or obligation and will not be liable for any consequences resulting from the use of this publication.

# Ardito LED - A2RSF

2-1/2" Series

## Ultra-Thin Profile Round Regressed Shower Trim

### SPECIFICATIONS (CONT'D)

	Remodel Housing	Insulated Air Tight Housing (Title 24)				
COMPATIBLE HOUSING	Performance 1 (14W) REA2V1	ICAT0S2-ARV1				
For dimming, please visit our Web site frequently to find our suggested compatible dimmers: <a href="http://www.contrastlighting.com">www.contrastlighting.com</a>						
DELIVERED LUMENS	<b>Performance 1 (14W):</b> 823 lumens @ 3,000K, 62.3 lm/W					
LED ARRAY	Lumileds Luxeon CoB 1203 delivers a lumen maintenance greater than 70% after 50,000 hours of operation (L <sub>70</sub> ) and provides a high quality true color and a clean white light without hot spots. Color binning within 3 steps on MacAdam ellipse which surpasses ANSI binning requirements.					
TRIM FINISHES	Powder coated paint or plated die formed steel.  <b>Different finishes available:</b> 24K Gold Plated (-03), Chrome (-04), Brushed Chrome (-04BR), Matte White (-11), Brushed Nickel (-12BR), Satin Nickel (-13), Matte Black (-22) and Natural Anodized Aluminum (-AN)					
OPTIC SYSTEM	Interchangeable optional optical reflectors and lenses available to customize your lighting. <b>Choice of available lens:</b> Frosted (F) (included)  <b>Optical reflector available:</b>					
	<table border="1"> <thead> <tr> <th></th> <th>Beam</th> </tr> </thead> <tbody> <tr> <td>Flood (W)</td> <td>48°</td> </tr> </tbody> </table>			Beam	Flood (W)	48°
	Beam					
Flood (W)	48°					
	<b>Average beam shown. Consult .ies files on our Web site for more details.</b>					
HEAT SINK	High quality aluminum injected heat sink ensuring maximum heat dissipation					

# CONTRASTE

SPECIFICATION SHEET

# Ardito LED - A2RSF

2-1/2" Series

## Ultra-Thin Profile Round Regressed Shower Trim



SPECIFICATIONS (CONT'D)

CEILING CUTOUT **ø 2-5/8" (67 mm)**

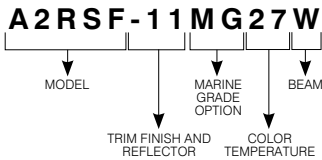
CERTIFICATION

- cULus **E343977** for wet locations
- Certified Air Tight ASTM E283

WARRANTY

1 year on components against manufacturing defects  
5 years on LED arrays and drivers

CODIFICATION EXAMPLE



ORDERING CODES **A2RSF**

MODEL	TRIM AND REFLECTOR FINISHES	MARINE GRADE	COLOR TEMPERATURES	BEAM
<b>A2RSF</b>				<b>W</b>
<b>A2RSF</b>	<b>-03</b> 24K Gold Plated	<b>MG</b> (optional)	<b>27</b> 2,700K (90 of CRI)	<b>W</b> Flood (48°)
	<b>-04</b> Chrome	May be applied	<b>30</b> 3,000K (90 of CRI)	
	<b>-04BR</b> Brushed Chrome	on finishes:	<b>35</b> 3,500K (90 of CRI)	
	<b>-11</b> Matte White	-11, -22 and -AN	<b>40</b> 4,000K (90 of CRI)	
	<b>-12BR</b> Brushed Nickel			
	<b>-13</b> Satin Nickel			
	<b>-22</b> Matte Black			
	<b>-AN</b> Natural Anodized Aluminum			

# CONTRASTE

1009, rue du Parc Industriel  
Lévis (Québec) G6Z 1C5 Canada  
Tel.: 1-888-839-4624  
Fax.: 1-877-839-7057  
contrastlighting.com  
info@contrastlighting.com

© 2017 Contrast Lighting M.L. Inc.  
All rights reserved

Contrast Lighting M.L. Inc. reserves the right to make changes in specifications and/or to discontinue any product at any time without notice or obligation and will not be liable for any consequences resulting from the use of this publication.

# Ardito LED - A2RSF

2-1/2" Series

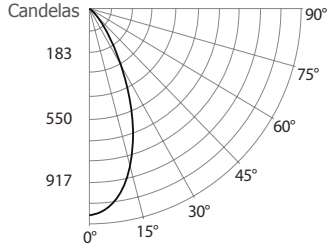
Ultra-Thin Profile Round Regressed Shower Trim

PHOTOMETRIC DATA



**3,000K, 90+ of CRI, Flood, Performance 1**

**CANDLEPOWER DISTRIBUTION**



**LIGHT CONE**

Distance	FC	DIA
06'	29.3	5.4
08'	16.48	7.1
10'	10.55	8.9
12'	7.32	10.7
14'	5.38	12.5
16'	4.12	14.3

Beam: 48°  
Beam Edge defined as 50% of Maximum Nadir Candle-power.

**LUMINAIRE**

Performance 1 LED	3,000K Flood	
CBCP / Lumens	1,055 /	823
Watts	120V	277V
	13.21W	13.71W
Operating AMPS	0.11A	0.049A
Lumen Maintenance	L70 @ 50,000 Hrs	
CRI	90+	
Lumens/Watt	62.3	
Spacing Criteria	0.81	

**COEFFICIENT OF UTILIZATION - %**

Ceiling Reflect %	80		50		30		
Wall Reflect %	50	30	50	30	50	30	
RCR	0	119	119	111	111	106	106
	2	101	97	96	93	93	91
	4	87	81	84	79	82	78
	6	76	70	74	69	72	68
	8	67	61	66	60	65	60
	10	60	54	59	54	58	53

**Zonal Cavity Method**

Effective Floor Cavity Reflectance: 20%

**ZONAL LUMEN SUMMARY**

ZONE	LUMENS	%LUMINAIRE
0-30	543.7	66.1%
0-40	689.7	83.8%
0-60	790.8	96.1%
60-90	32.2	3.9%
0-90	823.0	100%

**MULTIPLE UNIT DATA - (RCR 2)**

SPACING ON CENTER	INITIAL FOOTCANDLES	WATTS/SQ. FT.
5'	39	0.59
6'	22	0.33
7'	15	0.23
8'	15	0.23
9'	10	0.15

38' x 38' x 10' Room. Workplan located 2-1/2' (30").  
Reflectance factor 80%/50%/30%

**CANDELAS DISTRIBUTION**

DEGREES/VERTICAL	CANDELAS	DEGREES/VERTICAL	CANDELAS
0	1,055	40	145
5	1,016	50	51
10	930	60	26
15	805	70	15
20	653	80	5
25	494	90	0
30	346		