

# Ardito LED - A2RAR

2-1/2" Series

**Ultra-Thin Profile Round Adjustable Regressed Trim**

Project \_\_\_\_\_

Notes \_\_\_\_\_

Fixture Type \_\_\_\_\_

Date \_\_\_\_\_



A2RAR-12BR-XXX (illustrated)

Ultra-Thin Profile Round Adjustable Regressed Trim, 2-1/2" high efficiency dimmable LED downlight provides up to 30° tilt adjustable from below ceiling. Offered in Remodel configuration (NON-IC) or with optional mounting plate for a new construction configuration (NON-IC).



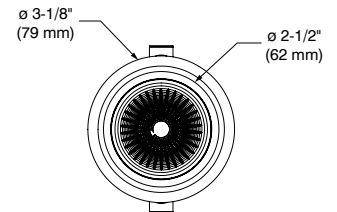
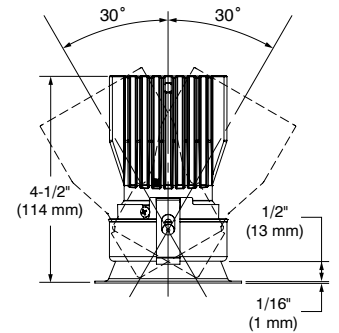
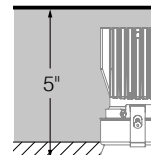
## SPECIFICATIONS

**COLOR TEMPERATURES** 2,700K - 3,000K - 3,500K - 4,000K

**CRI** 90+

**POWER SUPPLY** 120V - 277V  
 One driver available in performance 1 (14W) and offer 2 dimming options:  
 ELV: 120V (14W) (120V only)  
 0-10V: 120V (14W) (120V only)  
 Consult housing specification sheet for more details.

**HOUSING DETAILS** Requires a 5" (127 mm) clearance beyond the ceiling level.  
 Each part of the housing should be at LEAST 3" (76 mm) from insulation.  
 Can fit in 1/2" (12 mm) to 1-3/8" (35 mm) thick ceiling.  
 Junction Box is accessible from below the ceiling for ease of maintenance.



### Remodel Housing

COMPATIBLE HOUSING

|                      |        |
|----------------------|--------|
| <b>Performance 1</b> | REA2V1 |
|----------------------|--------|

For dimming, please visit our Web site frequently to find our dimmer compatibility list:  
[www.contrastlighting.com](http://www.contrastlighting.com)

**DELIVERED LUMENS** **Performance 1 (14W):** 1,037 lumens @ 3,000K, 78.5 lm/W

# CONTRASTE

1009, rue du Parc Industriel  
 Lévis (Québec) G6Z 1C5 Canada  
 Tel.: 1-888-839-4624  
 Fax.: 1-877-839-7057  
 contrastlighting.com  
 info@contrastlighting.com

© 2017 Contrast Lighting M.L. Inc.  
 All rights reserved

Contrast Lighting reserves the right to make changes in specifications and/or to discontinue any product at any time without notice or obligation and will not be liable for any consequences resulting from the use of this publication.

## SPECIFICATION SHEET

**Ardito LED - A2RAR**

2-1/2" Series

**Ultra-Thin Profile Round Adjustable Regressed Trim**

## SPECIFICATIONS (CONT'D)

| LED ARRAY               | <p><b>Standard:</b><br/>Lumileds Luxeon CoB 1203 GEN2 delivers a lumen maintenance greater than 70% after 50,000 hours of operation (L<sub>70</sub>) and provides a high quality true color and a clean white light without hot spots. Color binning within 3 steps on MacAdam ellipse which surpasses ANSI binning requirements.</p>  |       |  |                         |     |                  |     |
|-------------------------|--|-------|--|-------------------------|-----|------------------|-----|
| TRIM FINISHES           | <p>Powder coated paint or plated die formed steel.<br/>Different finishes available: 24K Gold Plated <b>(-03)</b>, Chrome <b>(-04)</b>, Brushed Chrome <b>(-04BR)</b>, Matte White <b>(-11)</b>, Brushed Nickel <b>(-12BR)</b>, Satin Nickel <b>(-13)</b> and Matte Black <b>(-22)</b></p> <p>Interchangeable optional optical reflectors and lenses available to customize your lighting.</p> <p><b>Choice of available lenses:</b> Clear <b>(C)</b> (included)</p> <p><b>Accessories (sold separately):</b> Frosted <b>(F)</b>, Honeycomb <b>(H)</b>, Linear <b>(L)</b>, Prismatic <b>(P)</b> and Solite <b>(S)</b><br/>(Color lenses available upon request)</p> <p><b>Optical reflectors available:</b></p> <table border="1"> <thead> <tr> <th colspan="2">Beams</th> </tr> </thead> <tbody> <tr> <td>Narrow Flood <b>(M)</b></td> <td>25°</td> </tr> <tr> <td>Flood <b>(W)</b></td> <td>44°</td> </tr> </tbody> </table> <p><b>Average beams shown. Consult .ies files on our Web site for more details.</b></p> | Beams |  | Narrow Flood <b>(M)</b> | 25° | Flood <b>(W)</b> | 44° |
| Beams                   |  |       |  |                         |     |                  |     |
| Narrow Flood <b>(M)</b> | 25°  |       |  |                         |     |                  |     |
| Flood <b>(W)</b>        | 44°  |       |  |                         |     |                  |     |
| OPTIC SYSTEM            |  |       |  |                         |     |                  |     |
| ADJUSTABILITY           | 30° aiming (2 ways)  |       |  |                         |     |                  |     |
| HEAT SINK               | High quality aluminum injected heat sink ensuring maximum heat dissipation   |       |  |                         |     |                  |     |
| THERMAL PROTECTION      | Performance 1: TC 194°F (90°C)   |       |  |                         |     |                  |     |
| CEILING CUTOUT          | <b>ø 2-5/8" (67 mm)</b>  |       |  |                         |     |                  |     |
| CERTIFICATION           | cULus <b>E343977</b> for damp locations  |       |  |                         |     |                  |     |
| WARRANTY                | 1 year on components against manufacturing defects<br>5 years on LED arrays and drivers  |       |  |                         |     |                  |     |

**CONTRASTE**

# Ardito LED - A2RAR

2-1/2" Series

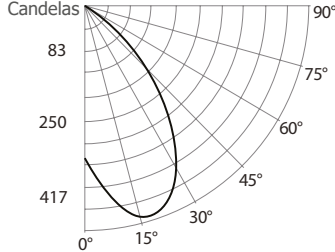
Ultra-Thin Profile Round Adjustable Regressed Trim

PHOTOMETRIC DATA



**3,000K, 90+ CRI, Narrow Flood, performance 1**

**CANDLEPOWER DISTRIBUTION**



**LIGHT CONE**

| Distance | FC   | DIA |
|----------|------|-----|
| 06'      | 113  | 2.5 |
| 08'      | 63.6 | 3.4 |
| 10'      | 40.7 | 4.2 |
| 12'      | 28.3 | 5.1 |
| 14'      | 20.8 | 5.9 |
| 16'      | 15.9 | 6.7 |

**Beam: 24°**  
Beam Edge defined as 50% of Maximum Nadir Candle-power.

**LUMINAIRE**

|                          |                  |              |
|--------------------------|------------------|--------------|
| <b>Performance 1 LED</b> | 3,000K           | Narrow Flood |
| <b>CBCP / Lumens</b>     | 4,068            | 1,037        |
| <b>Watts</b>             | 120V             | 277V         |
|                          | 13.2W            | 13.7W        |
| <b>Operating AMPS</b>    | 0.11A            | 0.049A       |
| <b>Lumen Maintenance</b> | L70 @ 50,000 Hrs |              |
| <b>CRI</b>               | 90+              |              |
| <b>Lumens/Watt</b>       | 78.5             |              |
| <b>Spacing Criteria</b>  | 0.77             |              |

**COEFFICIENT OF UTILIZATION - %**

| Ceiling Reflect %     | 80 | 50  | 30  |     |     |     |     |
|-----------------------|----|-----|-----|-----|-----|-----|-----|
| <b>Wall Reflect %</b> | 50 | 30  | 50  | 30  | 50  | 30  |     |
| <b>RCR</b>            | 0  | 119 | 119 | 111 | 111 | 106 | 106 |
|                       | 2  | 107 | 104 | 102 | 100 | 99  | 98  |
|                       | 4  | 98  | 94  | 95  | 91  | 93  | 90  |
|                       | 6  | 90  | 86  | 88  | 84  | 87  | 84  |
|                       | 8  | 84  | 79  | 82  | 79  | 81  | 78  |
|                       | 10 | 78  | 74  | 77  | 74  | 77  | 73  |

**Zonal Cavity Method**  
Effective Floor Cavity Reflectance 20%

**ZONAL LUMEN SUMMARY**

| ZONE  | LUMENS  | %LUMINAIRE |
|-------|---------|------------|
| 0-30  | 976.3   | 94.1%      |
| 0-40  | 1,036.4 | 99.9%      |
| 0-60  | 1,036.9 | 100%       |
| 60-90 | 0.0     | 0%         |
| 0-180 | 1,037   | 100%       |

**MULTIPLE UNIT DATA - (RCR 2)**

| SPACING ON CENTER | INITIAL FOOTCANDLES | WATTS/ SQ. FT. |
|-------------------|---------------------|----------------|
| 5'                | 49                  | 0.59           |
| 6'                | 28                  | 0.33           |
| 7'                | 19                  | 0.23           |
| 8'                | 19                  | 0.23           |
| 9'                | 12                  | 0.15           |

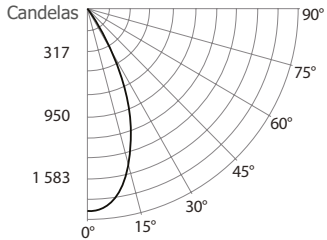
38' x 38' x 10' Room. Workplan located 2-1/2' (30").  
Reflectance factor 80%/50%/30%

**CANDELAS DISTRIBUTION**

| DEGREES/ VERTICAL | CANDELAS | DEGREES/ VERTICAL | CANDELAS |
|-------------------|----------|-------------------|----------|
| 0                 | 4,068    | 40                | 1        |
| 5                 | 3,507    | 50                | 0        |
| 10                | 2,422    | 60                | 0        |
| 15                | 1,397    | 70                | 0        |
| 20                | 783      | 80                | 0        |
| 25                | 494      | 90                | 0        |
| 30                | 255      |                   |          |

**3000K, 90+ CRI, Flood, performance 1**

**CANDLEPOWER DISTRIBUTION**



**LIGHT CONE**

| Distance | FC   | DIA  |
|----------|------|------|
| 06'      | 50.9 | 5.0  |
| 08'      | 28.6 | 6.7  |
| 10'      | 18.3 | 8.3  |
| 12'      | 12.7 | 10.0 |
| 14'      | 9.3  | 11.7 |
| 16'      | 7.2  | 13.4 |

**Beam: 45°**  
Beam Edge defined as 50% of Maximum Nadir Candle-power.

**LUMINAIRE**

|                          |                  |        |
|--------------------------|------------------|--------|
| <b>Performance 1 LED</b> | 3,000K           | Flood  |
| <b>CBCP / Lumens</b>     | 1,832            | 976    |
| <b>Watts</b>             | 120V             | 277V   |
|                          | 14.2W            | 14.7W  |
| <b>Operating AMPS</b>    | 0.12A            | 0.053A |
| <b>Lumen Maintenance</b> | L70 @ 50,000 Hrs |        |
| <b>CRI</b>               | 90+              |        |
| <b>Lumens/Watt</b>       | 68.7             |        |
| <b>Spacing Criteria</b>  | 0.99             |        |

**COEFFICIENT OF UTILIZATION - %**

| Ceiling Reflect %     | 80 | 50  | 30  |     |     |     |     |
|-----------------------|----|-----|-----|-----|-----|-----|-----|
| <b>Wall Reflect %</b> | 50 | 30  | 50  | 30  |     |     |     |
| <b>RCR</b>            | 0  | 119 | 119 | 111 | 111 | 106 | 106 |
|                       | 2  | 106 | 102 | 101 | 98  | 98  | 96  |
|                       | 4  | 95  | 90  | 92  | 88  | 90  | 87  |
|                       | 6  | 86  | 81  | 84  | 80  | 82  | 79  |
|                       | 8  | 78  | 73  | 77  | 72  | 76  | 72  |
|                       | 10 | 72  | 67  | 71  | 66  | 70  | 66  |

**Zonal Cavity Method**  
Effective Floor Cavity Reflectance 20%

**ZONAL LUMEN SUMMARY**

| ZONE  | LUMENS | %LUMINAIRE |
|-------|--------|------------|
| 0-30  | 889.2  | 91.1%      |
| 0-40  | 972.2  | 99.9%      |
| 0-60  | 975.6  | 100%       |
| 60-90 | 0.4    | 0%         |
| 0-90  | 976    | 100%       |

**MULTIPLE UNIT DATA - (RCR 2)**

| SPACING ON CENTER | INITIAL FOOTCANDLES | WATTS/ SQ. FT. |
|-------------------|---------------------|----------------|
| 5'                | 46                  | 0.63           |
| 6'                | 26                  | 0.35           |
| 7'                | 18                  | 0.25           |
| 8'                | 18                  | 0.25           |
| 9'                | 11                  | 0.16           |

38' x 38' x 10' Room. Workplan located 2-1/2' (30").  
Reflectance factor 80%/50%/30%

**CANDELAS DISTRIBUTION**

| DEGREES/ VERTICAL | CANDELAS | DEGREES/ VERTICAL | CANDELAS |
|-------------------|----------|-------------------|----------|
| 0                 | 1,832    | 40                | 14       |
| 5                 | 1,793    | 50                | 1        |
| 10                | 1,666    | 60                | 0        |
| 15                | 1,440    | 70                | 0        |
| 20                | 1,119    | 80                | 0        |
| 25                | 737      | 90                | 0        |
| 30                | 370      |                   |          |

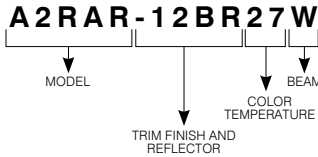
## SPECIFICATION SHEET

**Ardito LED - A2RAR**

2-1/2" Series

**Ultra-Thin Profile Round Adjustable Regressed Trim**

## CODIFICATION EXAMPLE

ORDERING CODE **A2RAR**

| MODEL        | TRIM AND REFLECTOR FINISHES | MARINE GRADE         | COLOR TEMPERATURES | BEAMS                       |
|--------------|-----------------------------|----------------------|--------------------|-----------------------------|
| <b>A2RAR</b> |                             |                      |                    |                             |
| <b>A2RAR</b> | <b>-03</b> 24K Gold Plated  | <b>MG</b> (optional) | <b>27</b> 2,700K   | <b>M</b> Narrow Flood (25°) |
|              | <b>-04</b> Chrome           | May be applied       | <b>30</b> 3,000K   | <b>W</b> Flood (44°)        |
|              | <b>-04BR</b> Brushed Chrome | on finishes:         | <b>35</b> 3,500K   |                             |
|              | <b>-11</b> Matte White      | -11 and -22          | <b>40</b> 4,000K   |                             |
|              | <b>-12BR</b> Brushed Nickel |                      |                    |                             |
|              | <b>-13</b> Satin Nickel     |                      |                    |                             |
|              | <b>-22</b> Matte Black      |                      |                    |                             |

ORDERING CODE **for replacement lenses and reflectors**

For future on-site modifications of the light distribution.

**Lenses (to modify light diffusion)**Clear: **103584** (included)Frosted: **316228**Linear: **103092**Solite: **104038**Prismatic: **103095**Honeycomb: **103089****Reflectors (to modify the beam angle)**For a Narrow Flood: **103901**For a Flood: **103902****CONTRASTE**

1009, rue du Parc Industriel  
Lévis (Québec) G6Z 1C5 Canada  
Tel.: 1-888-839-4624  
Fax.: 1-877-839-7057  
contrastlighting.com  
info@contrastlighting.com

© 2017 Contrast Lighting M.L. Inc.  
All rights reserved

Contrast Lighting reserves the right to make changes in specifications and/or to discontinue any product at any time without notice or obligation and will not be liable for any consequences resulting from the use of this publication.