

A2100

4" Series

Low Profile Regressed Square Trim

SPECIFICATIONS

| | | |
|----------------------------|--|--|
| TRIM | Powder coat painted or plated die-formed steel. Different finishes available. Painted finishes available with Marine Grade option. | |
| LAMPS (maximum wattage) | PAR20 LED 10W | PAR20 50W PAR20 Ceramic Metal Halide (CMH) 39W |
| REFLECTORS | Standard: painted Black. Painted White reflector is available with white trim (A2100-01W). Painted Matte White reflector is available with matte white trim (A2100-11W). | |
| CEILING CUTOUT | Ø 4-1/4" (108 mm) | |
| CERTIFICATION | <ul style="list-style-type: none"> • cULus E343977 for damp locations (for PAR20 LED lamps) • cULus E174023 for damp locations (for PAR20 halogen lamps) • cULus E331150 for damp locations (for PAR20 CMH lamps) | |
| WARRANTY | 1 year for standard finishes, 2 years on "Marine Grade" finishes. | |

Project _____

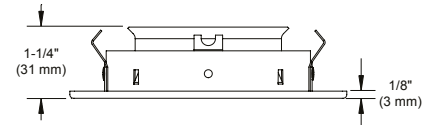
Notes _____

Fixture Type _____

Date _____

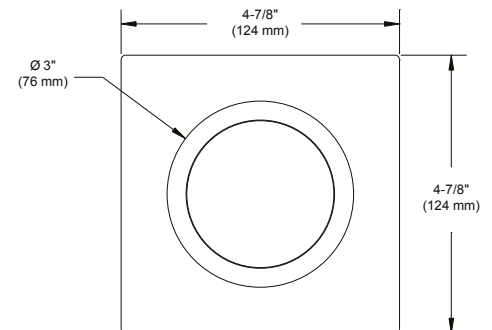


A2100-11 (illustrated)
(Lamp not included)



COMPATIBLE HOUSINGS

| | IC Air Tight Remodel Housing | IC Air Tight New Construction Housing | |
|----------|--|---------------------------------------|------------------------------|
| LED | PAR20 LED 10W CA2000-LED | PAR20 LED 10W NW2000CA-LED | |
| | Remodel Housing | New Construction Housing | Insulated Housing |
| HALOGENS | PAR20 50W CA2000U | PAR20 50W NW2000CAU | PAR20 50W ISCA2000 |
| CMH | PAR20 (CMH) 39W MH2000PAR139 | Non Available | Non Available |



CONTRASTE

1009, rue du Parc Industriel
Lévis (Québec) G6Z 1C5 Canada
Tel.: 1-888-839-4624
Fax.: 1-877-839-7057
contrastlighting.com
info@contrastlighting.com

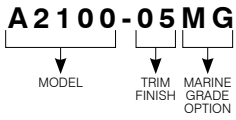
© 2017 Contrast Lighting M.L. Inc.
All rights reserved

Contrast Lighting M.L. Inc reserves the right to make changes in specifications and/or to discontinue any product at any time without notice or obligation and will not be liable for any consequences resulting from the use of this publication.

A2100

4" Series

CODIFICATION EXAMPLE



ORDERING CODE

| MODEL | TRIM FINISHES | REFLECTOR | MARINE GRADE |
|--------------|---|---|--|
| A2100 | | | |
| A2100 | <ul style="list-style-type: none"> -01 White -02 Black -03 Gold Plated 24K -04 Chrome -04BR Brushed Chrome -05 Architectural Bronze -06 Antique Copper -11 Matte White -12BR Brushed Nickel -13 Satin Nickel -15 Metallic Grey -17 Antique Nickel | <ul style="list-style-type: none"> Standard: Black W White reflector is available with white trim. W Matte white reflector is available with matte white trim. | <ul style="list-style-type: none"> MG (optional) May be applied on finishes: -01, -02, -05, -06, -11 and -15. |

MARINE GRADE - Unless otherwise indicated, trims are for interior, cold and exterior locations where fixtures are not subject to direct rain or snow exposure as in soffits. MARINE GRADE treatment is recommended for exterior, shower and high salinity environment.



CONTRASTE

1009, rue du Parc Industriel
Lévis (Québec) G6Z 1C5 Canada
Tel.: 1-888-839-4624
Fax.: 1-877-839-7057
contrastlighting.com
info@contrastlighting.com

© 2017 Contrast Lighting M.L. Inc.
All rights reserved

Contrast Lighting M.L. Inc reserves the right to make changes in specifications and/or to discontinue any product at any time without notice or obligation and will not be liable for any consequences resulting from the use of this publication.